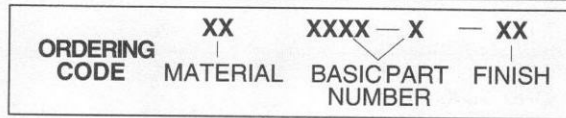
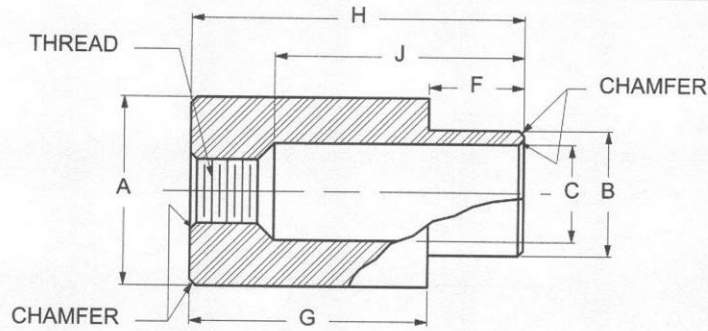




METRIC PANEL SCREW RETAINER TYPE B



CODE	FINISH
00	Plain — None
01	Passivate MIL-F-14072-E300
61	Nickel QQ-N-290 CL 1, Type VI KC

MATERIAL	CODE
BRASS	BR
STAINLESS STEEL	SS
STEEL	ST

BASIC PART NUMBER	THREAD	PANEL THICKNESS	A ±0.1	B ±0.05	C +0.1 -0.03	F ±0.15	G ±0.15	H ±0.3	J ±0.15
5912-1	M3X0.5	1.3-1.7	8	6.3	5.3	1.6	7.9	9.5	6.7
5912-2	M3X0.5	2.1-2.5	8	6.3	5.3	2.4	7.1	9.5	6.7
5912-3	M3X0.5	2.8-3.6	8	6.3	5.3	3.2	6.3	9.5	6.7
5912-4	M3X0.5	4.3-5.2	8	6.3	5.3	4.8	4.7	9.5	6.7
5913-1	M3.5X0.6	1.3-1.7	8	6.3	5.3	1.6	7.9	9.5	6.7
5913-2	M3.5X0.6	2.1-2.5	8	6.3	5.3	2.4	7.1	9.5	6.7
5913-3	M3.5X0.6	2.8-3.6	8	6.3	5.3	3.2	6.3	9.5	6.7
5913-4	M3.5X0.6	4.3-5.2	8	6.3	5.3	4.8	4.7	9.5	6.7
5913-5	M3.5X0.6	5.9-6.7	8	6.3	5.3	6.4	3.1	9.5	6.7
5914-1	M4X0.7	1.3-1.7	13	11	9.8	1.6	12.7	14.3	9.9
5914-2	M4X0.7	2.1-2.5	13	11	9.8	2.4	11.9	14.3	9.9
5914-3	M4X0.7	2.8-3.6	13	11	9.8	3.2	11.1	14.3	9.9
5914-4	M4X0.7	4.3-5.2	13	11	9.8	4.8	9.5	14.3	9.9
5914-5	M4X0.7	5.9-6.7	13	11	9.8	6.4	7.9	14.3	9.9
5915-1	M5X0.8	1.3-1.7	13	11	9.8	1.6	12.7	14.3	10
5915-2	M5X0.8	2.1-2.5	13	11	9.8	2.4	11.9	14.3	10
5915-3	M5X0.8	2.8-3.6	13	11	9.8	3.2	11.1	14.3	10
5915-4	M5X0.8	4.3-5.2	13	11	9.8	4.8	9.5	14.3	10
5915-5	M5X0.8	5.9-6.7	13	11	9.8	6.4	7.9	14.3	10
5916-1	M6X1	1.3-1.7	13	11	9.8	1.6	12.7	14.3	10.2
5916-2	M6X1	2.1-2.5	13	11	9.8	2.4	11.9	14.3	10.2
5916-3	M6X1	2.8-3.6	13	11	9.8	3.2	11.1	14.3	10.2
5916-4	M6X1	4.3-5.2	13	11	9.8	4.8	9.5	14.3	10.2
5916-5	M6X1	5.9-6.7	13	11	9.8	6.4	7.9	14.3	10.2

