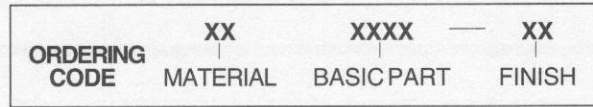
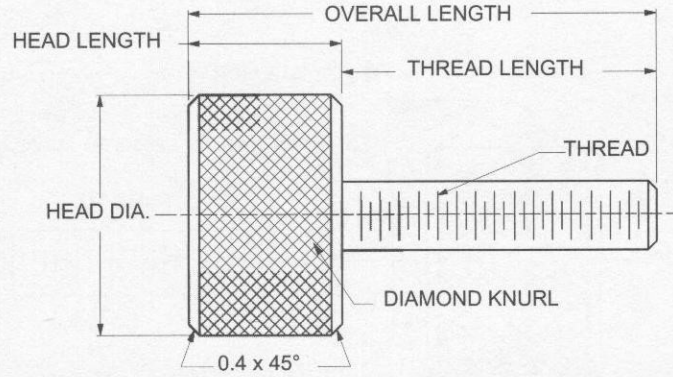




METRIC PLAIN THUMB SCREWS



CODE	FINISH
00	Plain — None
01	Passivate MIL-F-14072-E300
61	Nickel QQ-N-290 CL 1, Type VI KC

MATERIAL	CODE
BRASS	BR
STAINLESS STEEL	SS
STEEL	ST

BASIC PART NUMBER	THREAD	HEAD DIA +0.5 -0.0	HEAD LENGTH ±0.5	OVERALL LENGTH ±0.5	THREAD LENGTH ±0.5
5465	M3X0.5	8	5	13	8
5466	M3X0.5	8	5	14	9
5467	M3X0.5	8	5	16	11
5468	M3X0.5	8	5	18	13
5469	M3.5X0.6	8	5	13	8
5470	M3.5X0.6	8	5	14	9
5471	M3.5X0.6	8	5	16	11
5472	M3.5X0.6	8	5	18	13
5473	M4X0.7	10	5	14	9
5474	M4X0.7	10	5	16	11
5475	M4X0.7	10	5	18	13
5476	M4X0.7	10	5	19	14
5477	M4X0.7	10	5	21	16
5478	M5X0.8	11	5	14	9
5479	M5X0.8	11	5	16	11
5480	M5X0.8	11	5	18	13
5481	M5X0.8	11	5	19	14
5482	M5X0.8	11	5	21	16
5483	M6X1	13	6	19	13
5484	M6X1	13	6	21	14
5485	M6X1	13	6	22	16
5486	M6X1	13	6	24	18
5487	M6X1	13	6	25	19

