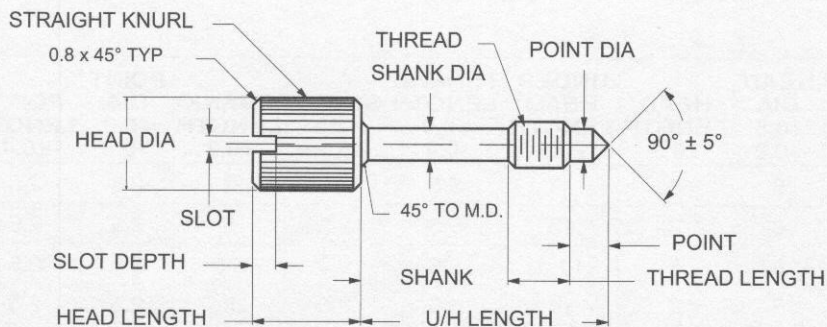




METRIC CAPTIVE PANEL SCREW TYPE 2



ORDERING CODE	XX MATERIAL	XXXX BASIC PART	XX FINISH
CODE	FINISH		
00	Plain — None		
01	Passivate MIL-F-14072-E300		
61	Nickel QQ-N-290 CL 1, Type VI KC		

MATERIAL	CODE
BRASS	BR
STAINLESS STEEL	SS
STEEL	ST

Additional Finishes Available

BASIC PART NO	THREAD	HEAD DIA +0.5 -0.2	HEAD LENGTH ±0.3	UNDER HEAD LENGTH ±0.5	THREAD LENGTH +0.0 -0.4	SHANK DIA ±0.15	SHANK LENGTH ±0.3	POINT DIA +0.0 -0.3	POINT LENGTH ±0.4	SLOT WIDTH +0.2 -0.0	SLOT DEPTH +0.3 -0.0
5734	M5X0.8	9.5	11	35	6.5	3.5	24.5	3.5	4	1.5	2.5
5735	M5X0.8	9.5	11	36.5	6.5	3.5	26	3.5	4	1.5	2.5
5736	M5X0.8	9.5	11	38	6.5	3.5	27.5	3.5	4	1.5	2.5
5737	M6X1	12.5	14.5	16	8	4.5	3	4.5	5	2	2.5
5738	M6X1	12.5	14.5	17.5	8	4.5	4.5	4.5	5	2	2.5
5739	M6X1	12.5	14.5	19	8	4.5	6	4.5	5	2	2.5
5740	M6X1	12.5	14.5	20.5	8	4.5	7.5	4.5	5	2	2.5
5741	M6X1	12.5	14.5	22	8	4.5	9	4.5	5	2	2.5
5742	M6X1	12.5	14.5	24	8	4.5	11	4.5	5	2	2.5
5743	M6X1	12.5	14.5	25.5	8	4.5	12.5	4.5	5	2	2.5
5744	M6X1	12.5	14.5	27	8	4.5	14	4.5	5	2	2.5
5745	M6X1	12.5	14.5	28.5	8	4.5	15.5	4.5	5	2	2.5
5746	M6X1	12.5	14.5	30	8	4.5	17.5	4.5	5	2	2.5
5747	M6X1	12.5	14.5	32	8	4.5	19	4.5	5	2	2.5
5748	M6X1	12.5	14.5	33.5	8	4.5	20.5	4.5	5	2	2.5
5749	M6X1	12.5	14.5	35	8	4.5	22	4.5	5	2	2.5
5750	M6X1	12.5	14.5	36.5	8	4.5	23.5	4.5	5	2	2.5
5751	M6X1	12.5	14.5	38	8	4.5	25	4.5	5	2	2.5
5752	M6X1	12.5	14.5	39.5	8	4.5	26.5	4.5	5	2	2.5
5753	M6X1	12.5	14.5	41.5	8	4.5	28.5	4.5	5	2	2.5
5755	M6X1	12.5	14.5	43	8	4.5	30	4.5	5	2	2.5
5755	M6X1	12.5	14.5	44.5	8	4.5	31.5	4.5	5	2	2.5
5756	M6X1	12.5	14.5	46	8	4.5	33	4.5	5	2	2.5
5757	M6X1	12.5	14.5	47.5	8	4.5	34.5	4.5	5	2	2.5
5758	M6X1	12.5	14.5	49	8	4.5	36	4.5	5	2	2.5
5759	M6X1	12.5	14.5	51	8	4.5	38	4.5	5	2	2.5



D7