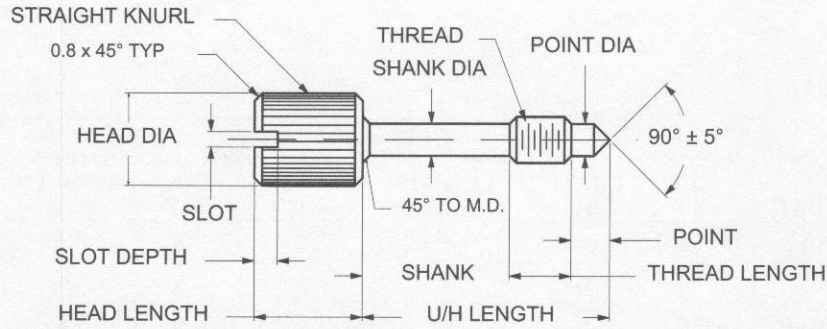




# METRIC CAPTIVE PANEL SCREW TYPE 2



ORDERING CODE	XX	XXXX	XX
MATERIAL	BASIC PART	FINISH	

MATERIAL	CODE
BRASS	BR
STAINLESS STEEL	SS
STEEL	ST

CODE	FINISH
00	Plain — None
01	Passivate MIL-F-14072-E300
61	Nickel QQ-N-290 CL 1, Type VI KC

Additional Finishes Available

BASIC PART NO	THREAD	HEAD DIA +0.5 -0.2	HEAD LENGTH ±0.3	UNDER HEAD LENGTH ±0.5	THREAD LENGTH +0.0 -0.4	SHANK DIA ±0.15	SHANK LENGTH ±0.3	POINT DIA +0.0 -0.3	POINT LENGTH ±0.4	SLOT WIDTH +0.2 -0.0	SLOT DEPTH +0.3 -0.0
5670	M3X0.5	6.5	6.5	9.5	3.2	2	4.3	2	2	1.2	2
5671	M3X0.5	6.5	6.5	11	3.2	2	5.8	2	2	1.2	2
5672	M3X0.5	6.5	6.5	13	3.2	2	7.8	2	2	1.2	2
5673	M3X0.5	6.5	6.5	14.5	3.2	2	9.3	2	2	1.2	2
5674	M3X0.5	6.5	6.5	16	3.2	2	10.8	2	2	1.2	2
5675	M3X0.5	6.5	6.5	17.5	3.2	2	12.3	2	2	1.2	2
5676	M3X0.5	6.5	6.5	19	3.2	2	13.8	2	2	1.2	2
5677	M3X0.5	6.5	6.5	20.5	3.2	2	15.3	2	2	1.2	2
5678	M3X0.5	6.5	6.5	22	3.2	2	16.8	2	2	1.2	2
5679	M3X0.5	6.5	6.5	24	3.2	2	18.8	2	2	1.2	2
5680	M3X0.5	6.5	6.5	25.5	3.2	2	20.3	2	2	1.2	2
5681	M3X0.5	8	8	9.5	3.2	2	4.3	2	2	1.2	2
5682	M3X0.5	8	8	11	3.2	2	5.8	2	2	1.2	2
5683	M3X0.5	8	8	13	3.2	2	7.8	2	2	1.2	2
5684	M3X0.5	8	8	14.5	3.2	2	9.3	2	2	1.2	2
5685	M3X0.5	8	8	16	3.2	2	10.8	2	2	1.2	2
5686	M3X0.5	8	8	17.5	3.2	2	12.3	2	2	1.2	2
5687	M3X0.5	8	8	19	3.2	2	13.8	2	2	1.2	2
5688	M3X0.5	8	8	20.5	3.2	2	15.3	2	2	1.2	2
5689	M3X0.5	8	8	22	3.2	2	16.8	2	2	1.2	2
5690	M3X0.5	8	8	24	3.2	2	18.8	2	2	1.2	2
5691	M3X0.5	8	8	25.5	3.2	2	20.3	2	2	1.2	2

