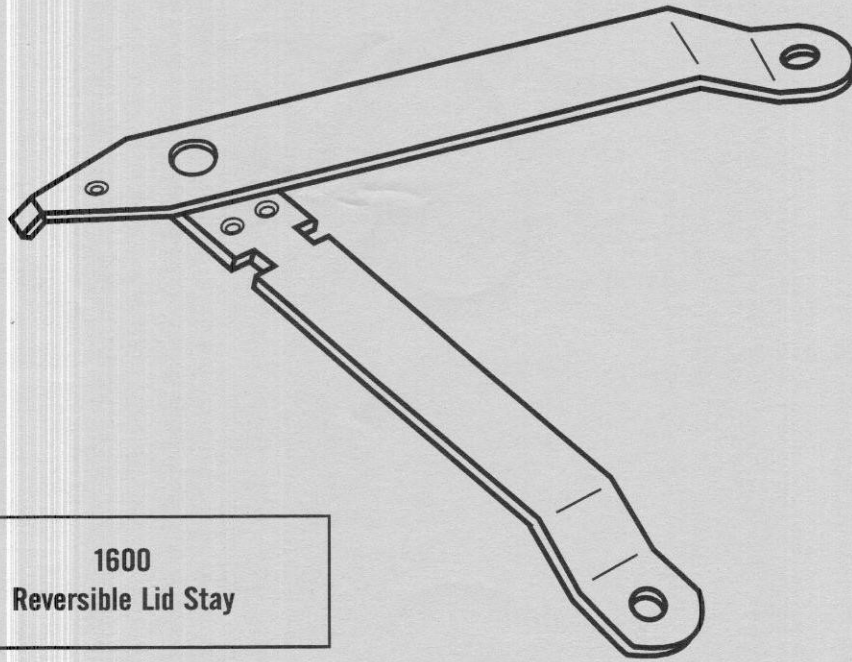


REVERSIBLE LID STAYS OPEN LINE BOX HARDWARE



1600  
Reversible Lid Stay