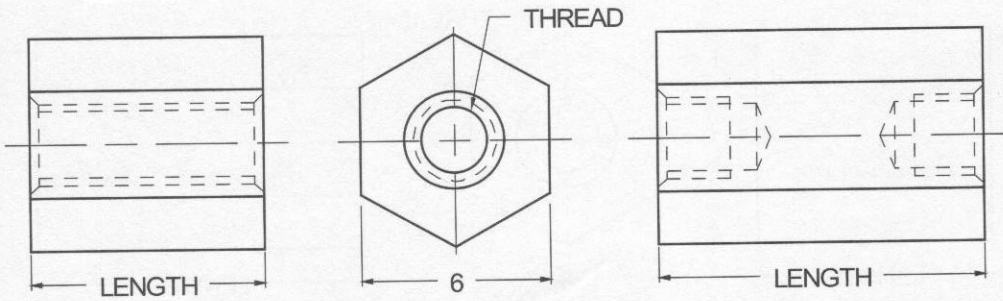




6mm HEX STANDOFFS



ORDERING CODE	XX	XXXX	XXXX	XXX	XX
	MATERIAL	BASIC PART NUMBER	THREAD CODE	LENGTH CODE	FINISH

MATERIAL	CODE
ALUMINUM	AL
BRASS	BR
NYLON	NY
STAINLESS STEEL	SS
STEEL	ST

NOTE: See Page B2 for additional materials and specifications.

BASIC PART NO.
5083

THREADSIZE	CODE
M3.0 x 0.5	3050
M3.5 x 0.6	3560
M4.0 x 0.7	4070
M5.0 x 0.8	5080

LENGTH mm	CODE	LENGTH mm	CODE
3	03.0	27	27.0
4	04.0	29	29.0
5	05.0	30	30.0
6	06.0	32	32.0
8	08.0	33	33.0
10	10.0	35	35.0
11	11.0	37	37.0
12	12.0	38	38.0
13	13.0	40	40.0
14	14.0	41	41.0
16	16.0	44	44.0
19	19.0	45	45.0
20	20.0	48	48.0
22	22.0	51	51.0
25	25.0		

NOTE: For lengths not listed, contact Lyn-Tron, Inc.

CODE	FINISH	CODE	FINISH
00	Plain — None	33	Black Zinc
01	Passivate MIL-F-14072-E300	34*	Zinc QQ-Z-325, Type II, CL 3 — Clear Chromate
02	Caustic Etch	35	Zinc QQ-Z-325, Type I, CL 3
03	Bright Dip — Brass	36	Zinc QQ-Z-325, Type II, CL 3 — Yellow Chromate
11	Anodize MIL-A-8625C, Type I	42	Electro Tin MIL-T-10727, Type I (Dull)
	Chromic Hot Water Seal — Dark Grey	43	Electro Tin MIL-T-10727 C, Type I (Bright)
12	Anodize MIL-A-8625C, Type II	44	Electro Tin (Solder) MIL-F-14072 M230/M222
	Sulphuric Hot Water Seal — Clear	48	Copper / Nickel / Bright Tin
13	Anodize MIL-A-8625C, Type II	50	Black Oxide MIL-C-13924 — Steel
	Sulphuric Dichromate Seal — Yellow Green	51	Black Oxide MIL-F-495 — Brass
14	Anodize MIL-A-8625C — Black	52	Black Oxide MIL-C-13924 — Stainless Steel
21	Iridite MIL-C-5541 — Clear	61	Nickel QQ-N-290 CL 1, Type VI KC
22*	Iridite MIL-C-5541 — Gold #14	63	Ductile Nickel
31	Cadmium QQ-P-416, CL 2 — Clear Chromate	66	Electroless Nickel
32	Cadmium QQ-P-416, CL 2 — Color Chromate	91	Silver QQ-S-365

*Standard finishes: Zinc (Clear Chromate) on brass material, Iridite (Gold #14) on aluminum material.