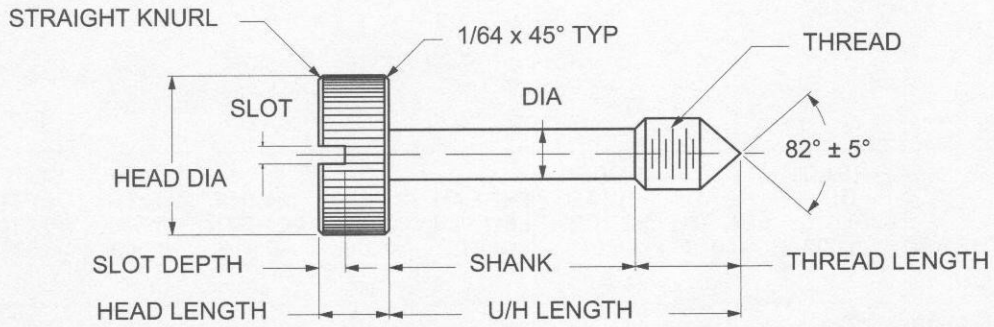




CAPTIVE PANEL SCREW TYPE 1



ORDERING CODE	XX	XXXX	XX
	MATERIAL	BASIC PART	FINISH
CODE	FINISH		
00	Plain — None		
01	Passivate MIL-F-14072-E300		
61	Nickel QQ-N-290 CL 1, Type VI KC		

MATERIAL	CODE
BRASS	BR
STAINLESS STEEL	SS
STEEL	ST

Additional Finishes Available

BASIC PART NUMBER	THREAD	HEAD DIA +0.010 -0.000	HEAD LENGTH -0.010	UNDER HEAD LENGTH -0.015	THREAD LENGTH -0.015	SHANK DIA -0.005	SHANK LENGTH -0.010	SLOT WIDTH +0.005 -0.000	SLOT DEPTH +0.010 -0.000	KNURL TPI
3350	5/16-24	3/4	1/4	1"	3/8	.235	5/8	1/16	1/8	30
3351	5/16-24	3/4	1/4	1-1/16	3/8	.235	11/16	1/16	1/8	30
3352	5/16-24	3/4	1/4	1-1/8	3/8	.235	3/4	1/16	1/8	30
3353	5/16-24	3/4	1/4	1-3/16	3/8	.235	13/16	1/16	1/8	30
3354	5/16-24	3/4	1/4	1-1/4	3/8	.235	7/8	1/16	1/8	30
3355	5/16-24	3/4	1/4	1-5/16	3/8	.235	15/16	1/16	1/8	30
3356	5/16-24	3/4	1/4	1-3/8	3/8	.235	1"	1/16	1/8	30
3357	5/16-24	3/4	1/4	1-7/16	3/8	.235	1-1/16	1/16	1/8	30
3358	5/16-24	3/4	1/4	1-1/2	3/8	.235	1-1/8	1/16	1/8	30
3359	5/16-24	3/4	1/4	1-9/16	3/8	.235	1-3/16	1/16	1/8	30
3360	5/16-24	3/4	1/4	1-5/8	3/8	.235	1-1/4	1/16	1/8	30
3361	5/16-24	3/4	1/4	1-11/16	3/8	.235	1-5/16	1/16	1/8	30
3362	5/16-24	3/4	1/4	1-3/4	3/8	.235	1-3/8	1/16	1/8	30
3363	5/16-24	3/4	1/4	1-13/16	3/8	.235	1-7/16	1/16	1/8	30
3364	5/16-24	3/4	1/4	1-7/8	3/8	.235	1-1/2	1/16	1/8	30
3365	5/16-24	3/4	1/4	1-15/16	3/8	.235	1-9/16	1/16	1/8	30
3366	5/16-24	3/4	1/4	2"	3/8	.235	1-5/8	1/16	1/8	30

