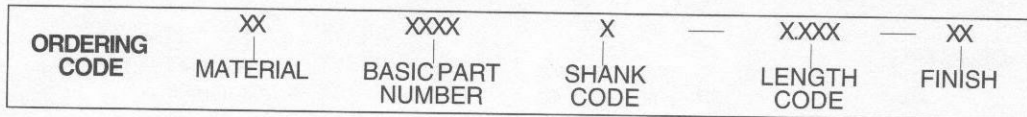
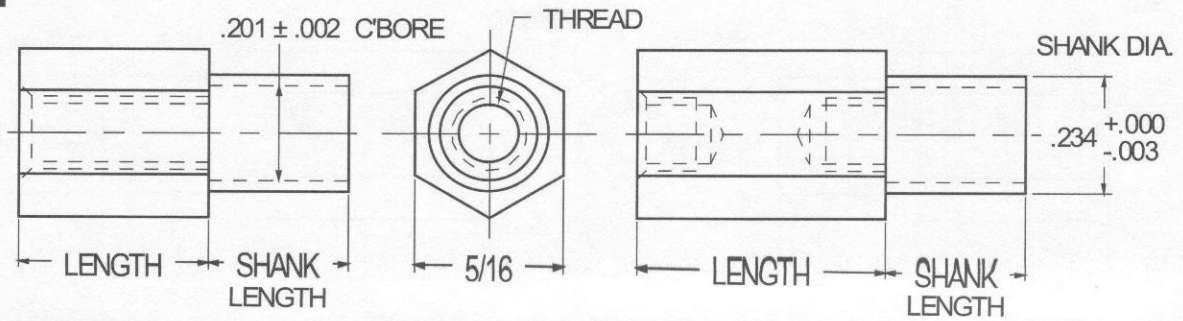




5/16 HEX SWAGE STANDOFFS .234 Shank Diameter



MATERIAL	CODE
ALUMINUM	AL
BRASS	BR
STAINLESS STEEL	SS
STEEL	ST

NOTE: See Page A4 for additional materials and specifications.

THREAD SIZE	BASIC PART NO.
6-32	6927
8-32	6923
10-32	6938

LENGTH	CODE	LENGTH	CODE
1/8	0.125	1"	1.000
3/16	0.187	1 1/16	1.062
1/4	0.250	1 1/8	1.125
5/16	0.312	1 3/16	1.187
3/8	0.375	1 1/4	1.250
7/16	0.437	1 5/16	1.312
1/2	0.500	1 3/8	1.375
9/16	0.562	1 7/16	1.437
5/8	0.625	1 1/2	1.500
11/16	0.687	1 9/16	1.562
3/4	0.750	1 5/8	1.625
13/16	0.812	1 11/16	1.687
7/8	0.875	1 3/4	1.750
15/16	0.937	1 13/16	1.812
		1 7/8	1.875
		1 15/16	1.937
		2"	2.000

PANEL THICKNESS	SHANK LENGTH ± .003	CODE
1/32	.075	A
1/16	.105	B
3/32	.135	C
1/8	.165	D

NOTE: See Page A5 for additional shank lengths.

SWAGE TOOLING		
PUNCH	ANVIL	BODY LENGTH
234	363-1	1/8 - 3/16
	363-2	1/4 - 7/16
	363-3	1/2 - 11/16
	363-4	3/4 - 2"

PANEL HOLE SIZE
.236 - .239

CODE	FINISH	CODE	FINISH
00	Plain — None	33	Black Zinc
01	Passivate MIL-F-14072-E300	34*	Zinc QQ-Z-325, Type II, CL 3 — Clear Chromate
02	Caustic Etch	35	Zinc QQ-Z-325, Type I, CL 3
03	Bright Dip — Brass	36	Zinc QQ-Z-325, Type II, CL 3 — Yellow Chromate
11	Anodize MIL-A-8625C, Type I Chromic Hot Water Seal — Dark Grey	42	Electro Tin MIL-T-10727, Type I (Dull)
12	Anodize MIL-A-8625C, Type II Sulphuric Hot Water Seal — Clear	43	Electro Tin MIL-T-10727 C, Type I (Bright)
13	Anodize MIL-A-8625C, Type II Sulphuric Dichromate Seal — Yellow Green	44	Electro Tin (Solder) MIL-F-14072 M230/M222
14	Anodize MIL-A-8625C — Black	48	Copper / Nickel / Bright Tin
21	Iridite MIL-C-5541 — Clear	50	Black Oxide MIL-C-13924 — Steel
22*	Iridite MIL-C-5541 — Gold #14	51	Black Oxide MIL-F-495 — Brass
31	Cadmium QQ-P-416, CL 2 — Clear Chromate	52	Black Oxide MIL-C-13924 — Stainless Steel
32	Cadmium QQ-P-416, CL 2 — Color Chromate	63	Ductile Nickel
		66	Electroless Nickel
		91	Silver QQ-S-365

*Standard finishes: Zinc (Clear Chromate) on brass material, Iridite (Gold #14) on aluminum material.