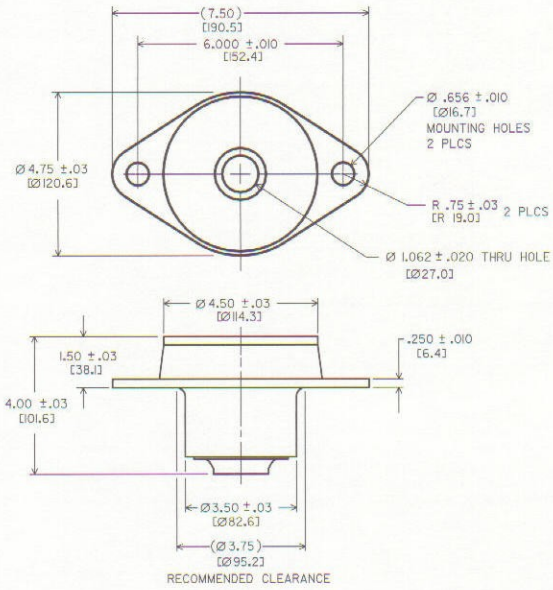


500 MOUNT SERIES: 516

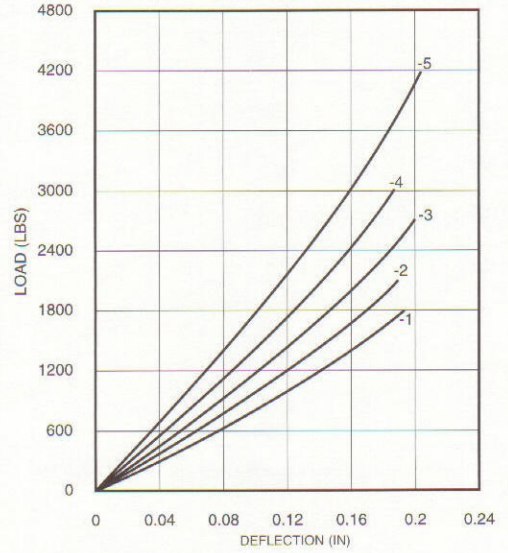
Dimensions & Performance Characteristics

516 MOUNT SERIES (5.44 lbs.) Dimensional Drawing

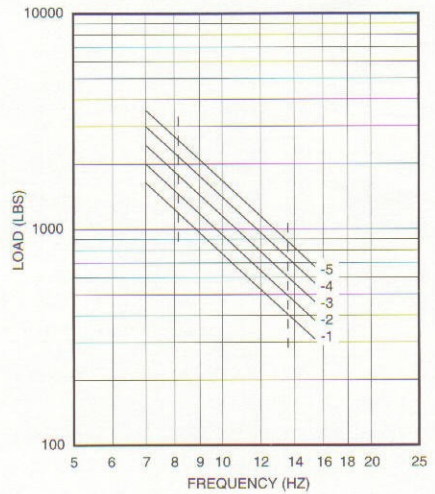


516 Series Performance Data

Load vs. Deflection



Load vs. Natural Frequency



Code	516 SERIES LOAD RANGE (lbs.)				COLOR CODE
	Axial Static Load Range		Radial Static Load Range		
	Nominal	Max.	Nominal	Max.	
-1	830	1245	415	830	Red & White
-2	1000	1500	500	1000	Orange & White
-3	1210	1815	605	1210	Yellow & White
-4	1470	2205	735	1470	Green & White
-5	1780	2700	890	1780	Blue & White