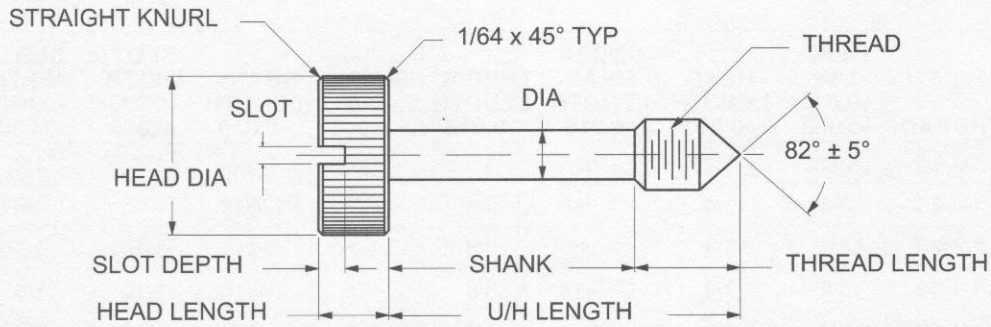




CAPTIVE PANEL SCREW TYPE 1



| | | | |
|---------------|----------------------------------|------------|--------|
| ORDERING CODE | XX | XXXX | XX |
| | MATERIAL | BASIC PART | FINISH |
| CODE | FINISH | | |
| 00 | Plain — None | | |
| 01 | Passivate MIL-F-14072-E300 | | |
| 61 | Nickel QQ-N-290 CL 1, Type VI KC | | |

| MATERIAL | CODE |
|-----------------|------|
| BRASS | BR |
| STAINLESS STEEL | SS |
| STEEL | ST |

Additional Finishes Available

| BASIC PART NUMBER | THREAD | HEAD DIA +0.010 -0.000 | HEAD LENGTH -0.010 | UNDER HEAD LENGTH -0.015 | THREAD LENGTH -0.015 | SHANK DIA -0.005 | SHANK LENGTH -0.010 | SLOT WIDTH +0.005 -0.000 | SLOT DEPTH +0.010 -0.000 | KNURL TPI |
|-------------------|---------|------------------------------|-----------------------|-----------------------------|-------------------------|---------------------|------------------------|--------------------------------|--------------------------------|--------------|
| 3289 | 1/4-28 | 3/4 | 1/4 | 1-7/16 | 3/8 | .175 | 1-1/16 | 1/16 | 1/8 | 30 |
| 3290 | 1/4-28 | 3/4 | 1/4 | 1-1/2 | 3/8 | .175 | 1-1/8 | 1/16 | 1/8 | 30 |
| 3291 | 1/4-28 | 3/4 | 1/4 | 1-9/16 | 3/8 | .175 | 1-3/16 | 1/16 | 1/8 | 30 |
| 3292 | 1/4-28 | 3/4 | 1/4 | 1-5/8 | 3/8 | .175 | 1-1/4 | 1/16 | 1/8 | 30 |
| 3293 | 1/4-28 | 3/4 | 1/4 | 1-11/16 | 3/8 | .175 | 1-5/16 | 1/16 | 1/8 | 30 |
| 3294 | 1/4-28 | 3/4 | 1/4 | 1-3/4 | 3/8 | .175 | 1-3/8 | 1/16 | 1/8 | 30 |
| 3295 | 1/4-28 | 3/4 | 1/4 | 1-13/16 | 3/8 | .175 | 1-7/16 | 1/16 | 1/8 | 30 |
| 3296 | 1/4-28 | 3/4 | 1/4 | 1-7/8 | 3/8 | .175 | 1-1/2 | 1/16 | 1/8 | 30 |
| 3297 | 1/4-28 | 3/4 | 1/4 | 1-15/16 | 3/8 | .175 | 1-9/16 | 1/16 | 1/8 | 30 |
| 3298 | 1/4-28 | 3/4 | 1/4 | 2" | 3/8 | .175 | 1-5/8 | 1/16 | 1/8 | 30 |
| 3299 | 5/16-18 | 9/16 | 1/4 | 1" | 3/8 | .235 | 5/8 | 1/16 | 3/32 | 30 |
| 3300 | 5/16-18 | 9/16 | 1/4 | 1-1/16 | 3/8 | .235 | 11/16 | 1/16 | 3/32 | 30 |
| 3301 | 5/16-18 | 9/16 | 1/4 | 1-1/8 | 3/8 | .235 | 3/4 | 1/16 | 3/32 | 30 |
| 3302 | 5/16-18 | 9/16 | 1/4 | 1-3/16 | 3/8 | .235 | 13/16 | 1/16 | 3/32 | 30 |
| 3303 | 5/16-18 | 9/16 | 1/4 | 1-1/4 | 3/8 | .235 | 7/8 | 1/16 | 3/32 | 30 |
| 3304 | 5/16-18 | 9/16 | 1/4 | 1-5/16 | 3/8 | .235 | 15/16 | 1/16 | 3/32 | 30 |
| 3305 | 5/16-18 | 9/16 | 1/4 | 1-3/8 | 3/8 | .235 | 1" | 1/16 | 3/32 | 30 |
| 3306 | 5/16-18 | 9/16 | 1/4 | 1-7/16 | 3/8 | .235 | 1-1/16 | 1/16 | 3/32 | 30 |
| 3307 | 5/16-18 | 9/16 | 1/4 | 1-1/2 | 3/8 | .235 | 1-1/8 | 1/16 | 3/32 | 30 |
| 3308 | 5/16-18 | 9/16 | 1/4 | 1-9/16 | 3/8 | .235 | 1-3/16 | 1/16 | 3/32 | 30 |
| 3309 | 5/16-18 | 9/16 | 1/4 | 1-5/8 | 3/8 | .235 | 1-1/4 | 1/16 | 3/32 | 30 |
| 3310 | 5/16-18 | 9/16 | 1/4 | 1-11/16 | 3/8 | .235 | 1-5/16 | 1/16 | 3/32 | 30 |
| 3311 | 5/16-18 | 9/16 | 1/4 | 1-3/4 | 3/8 | .235 | 1-3/8 | 1/16 | 3/32 | 30 |
| 3312 | 5/16-18 | 9/16 | 1/4 | 1-13/16 | 3/8 | .235 | 1-7/16 | 1/16 | 3/32 | 30 |
| 3313 | 5/16-18 | 9/16 | 1/4 | 1-7/8 | 3/8 | .235 | 1-1/2 | 1/16 | 3/32 | 30 |
| 3314 | 5/16-18 | 9/16 | 1/4 | 1-15/16 | 3/8 | .235 | 1-9/16 | 1/16 | 3/32 | 30 |
| 3315 | 5/16-18 | 9/16 | 1/4 | 2" | 3/8 | .235 | 1-5/8 | 1/16 | 3/32 | 30 |



F9