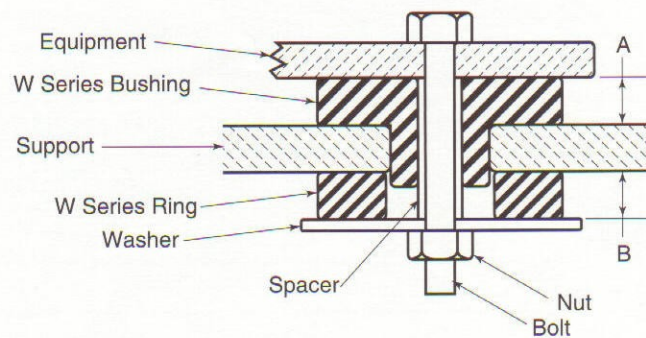
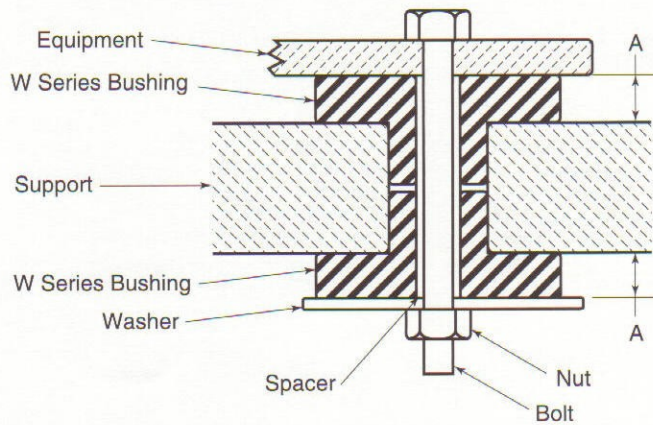


# RING & BUSHING MOUNT SERIES:

## Installation Data & Specifications

### TYPICAL INSTALLATION - RING & BUSHING



#### Installed Dimensions

	A	B
WR1	-	.23
WB1	.23	-
WR3	-	.30
WB3	.30	-
WR4	-	.45
WB4	.33	-
WR6	-	.75
WB6	1.25	-