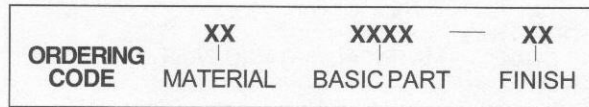
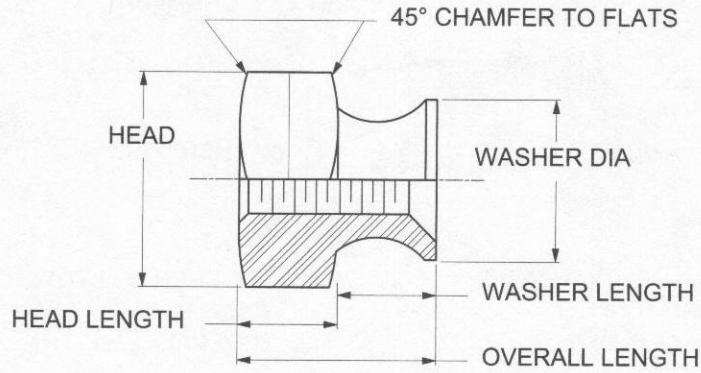




# HEX THUMB NUTS



| CODE | FINISH                           |
|------|----------------------------------|
| 00   | Plain — None                     |
| 01   | Passivate MIL-F-14072-E300       |
| 61   | Nickel QQ-N-290 CL 1, Type VI KC |

| MATERIAL        | CODE |
|-----------------|------|
| BRASS           | BR   |
| STAINLESS STEEL | SS   |
| STEEL           | ST   |

| BASIC<br>PART<br>NUMBER | THREAD  | HEAD<br>+0.020<br>-0.000 | HEAD<br>LENGTH<br>-0.015 | OVERALL<br>LENGTH<br>(REF.) | WASHER<br>LENGTH<br>-0.010 | WASHER<br>DIA<br>-0.031 |
|-------------------------|---------|--------------------------|--------------------------|-----------------------------|----------------------------|-------------------------|
| 7719                    | 2-56    | 1/4                      | 1/8                      | 1/4                         | 1/8                        | 3/16                    |
| 7720                    | 4-40    | 5/16                     | 1/8                      | 1/4                         | 1/8                        | 1/4                     |
| 7721                    | 6-32    | 3/8                      | 1/8                      | 9/32                        | 5/32                       | 11/32                   |
| 7722                    | 8-32    | 7/16                     | 1/8                      | 9/32                        | 5/32                       | 3/8                     |
| 7723                    | 10-24   | 1/2                      | 5/32                     | 11/32                       | 3/16                       | 13/32                   |
| 7724                    | 10-32   | 1/2                      | 5/32                     | 11/32                       | 3/16                       | 13/32                   |
| 7725                    | 1/4-20  | 9/16                     | 5/32                     | 3/8                         | 7/32                       | 15/32                   |
| 7726                    | 5/16-18 | 5/8                      | 3/16                     | 13/32                       | 7/32                       | 17/32                   |
| 7727                    | 3/8-16  | 3/4                      | 7/32                     | 15/32                       | 1/4                        | 5/8                     |

