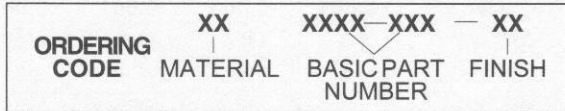
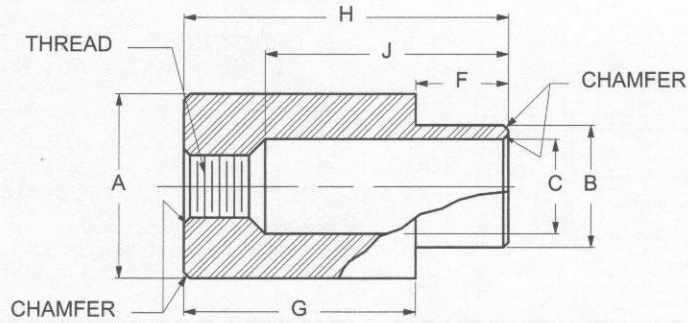


# PANEL SCREW RETAINER TYPE G



CODE	FINISH
00	Plain — None
01	Passivate MIL-F-14072-E300
61	Nickel QQ-N-290 CL 1, Type VI KC

MATERIAL	CODE
BRASS	BR
STAINLESS STEEL	SS
STEEL	ST

BASIC PART NUMBER	THREAD	PANEL THICKNESS	A -0.004	B +0.000 -0.003	C +0.004 -0.001	F -0.005	G -0.005	H -0.010	J -0.005
R050-165	6-32	.109-.140	9/16	.406	.343	.165	.312	.477	.242
R050-230	6-32	.171-.203	9/16	.406	.343	.230	.312	.542	.307
R050-290	6-32	.234-.265	9/16	.406	.343	.290	.312	.602	.367
R051-165	8-32	.109-.140	9/16	.406	.343	.165	.312	.477	.248
R051-230	8-32	.171-.203	9/16	.406	.343	.230	.312	.542	.315
R051-290	8-32	.234-.265	9/16	.406	.343	.290	.312	.602	.373
R052-165	10-32	.109-.140	9/16	.406	.343	.165	.312	.477	.252
R052-230	10-32	.171-.203	9/16	.406	.343	.230	.312	.542	.318
R052-290	10-32	.234-.265	9/16	.406	.343	.290	.312	.602	.378
R053-165	12-24	.109-.140	9/16	.406	.343	.165	.312	.477	.256
R053-230	12-24	.171-.203	9/16	.406	.343	.230	.312	.542	.321
R053-290	12-24	.234-.265	9/16	.406	.343	.290	.312	.602	.381
R054-165	1/4-20	.109-.140	9/16	.406	.343	.165	.312	.477	.261
R054-230	1/4-20	.171-.203	9/16	.406	.343	.230	.312	.542	.326
R054-290	1/4-20	.234-.265	9/16	.406	.343	.290	.312	.602	.386

