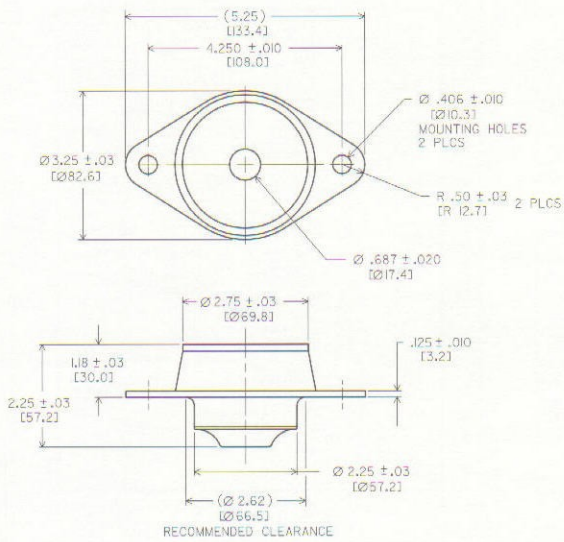


500 MOUNT SERIES: 510

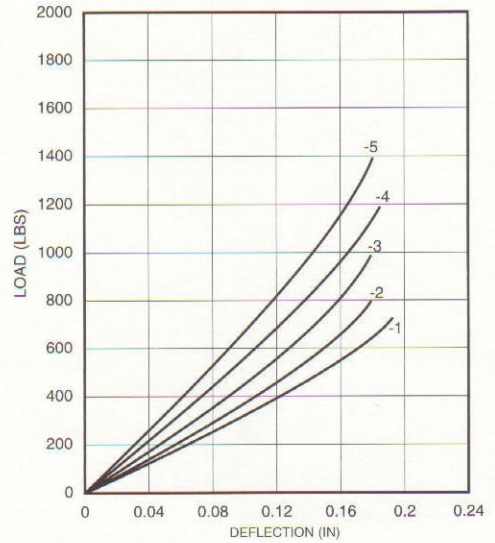
Dimensions & Performance Characteristics

510 MOUNT SERIES (1.19 lbs.) Dimensional Drawing

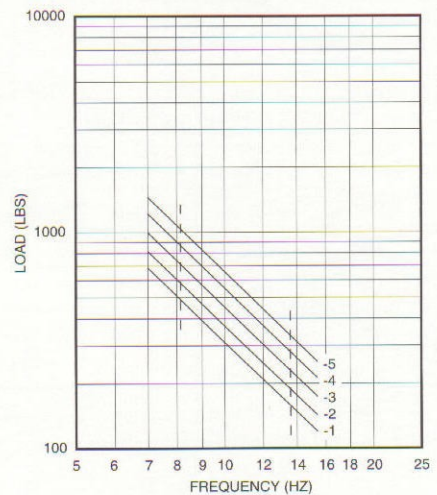


510 Series Performance Data

Load vs. Deflection



Load vs. Natural Frequency



510 SERIES LOAD RANGE (lbs.)

Code	Axial Static Load Range		Radial Static Load Range		COLOR CODE
	Nominal	Max.	Nominal	Max.	
-1	320	480	150	320	Orange & White
-2	380	570	190	380	Yellow & White
-3	460	690	230	460	Green & White
-4	560	840	280	560	Blue & White
-5	680	1020	340	680	Brown & White