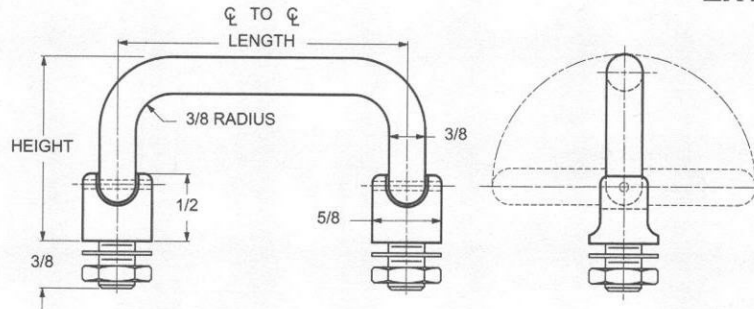


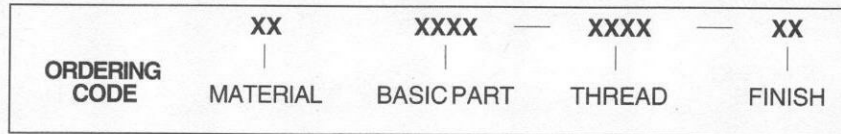


3/8 ROUND 180° FREE FALL HANDLES

EXTERNAL THREAD



Nuts and washers are supplied



MATERIAL	CODE
ALUMINUM	AL
BRASS	BR
STAINLESS STEEL	SS
STEEL	ST

THREAD SIZE	THREAD CODE
5/16-24	3124
3/8-24	3724

LENGTH ℄ TO ℄ ±1/32	LEG HEIGHT ±1/32	BASIC PART NUMBER
3"	1.531	1635
3-1/2"		1636
4"		1637
4-1/4"		1638
4-1/2"		1639
5"		1640
6"	1641	
3"	1.850	1642
3-1/2"		1643
4"		1644
4-1/4"		1645
4-1/2"		1646
5"		1647
6"	1648	

CODE	FINISH	CODE	FINISH
00	Plain — None	19	Bright Anodize — Black (High Luster)
01	Passivate MIL-F-14072-E300	21	Iridite MIL-C-5541 — Clear
02	Caustic Etch	22	Iridite MIL-C-5541 — Gold #14
12	Anodize MIL-A-8625C, Type II Sulphuric Hot Water Seal — Clear	34	Zinc QQ-Z-325, Type II, CL 3 — Clear Chromate
13	Anodize MIL-A-8625C, Type II Sulphuric Dichromate Seal — Yellow Green	36	Zinc QQ-Z-325, Type II, CL 3 — Yellow Chromate
14	Anodize MIL-A-8625C — Black	51	Black Oxide MIL-F-495 — Brass
15	Semi-Frost Anodize — Clear	52	Black Oxide MIL-C-13924 — Stainless Steel
16	Semi-Frost Anodize — Black	61	Nickel QQ-N-290 CL 1, Type VI KC
17	Satin Anodize — Clear	62	Black Nickel
18	Satin Anodize — Black	71	Chrome QQ-C-320 CL 1, Type 1 — Bright
		72	Chrome QQ-C-320 CL 1, Type 1 — Satin