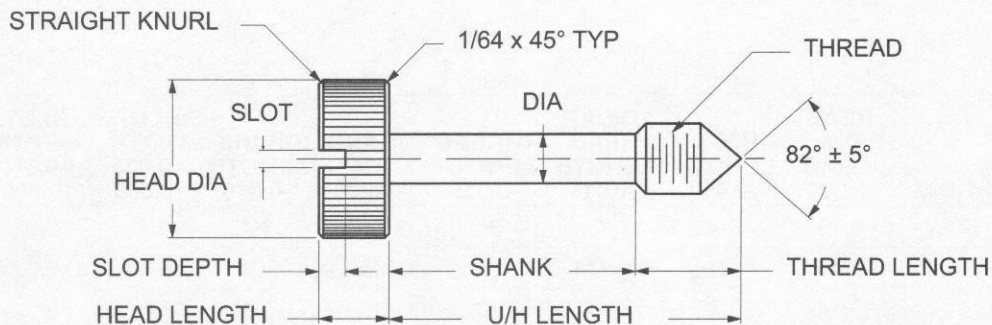




# CAPTIVE PANEL SCREW TYPE 1



ORDERING CODE	XX	XXXX	XX
	MATERIAL	BASIC PART	FINISH

CODE	FINISH
00	Plain — None
01	Passivate MIL-F-14072-E300
61	Nickel QQ-N-290 CL 1, Type VI KC

MATERIAL	CODE
BRASS	BR
STAINLESS STEEL	SS
STEEL	ST

Additional Finishes Available

BASIC PART NUMBER	THREAD	HEAD DIA +0.010 -0.000	HEAD LENGTH -0.010	UNDER HEAD LENGTH -0.015	THREAD LENGTH -0.015	SHANK DIA -0.005	SHANK LENGTH -0.010	SLOT WIDTH +0.005 -0.000	SLOT DEPTH +0.010 -0.000	KNURL TPI
3222	1/4-20	9/16	1/4	1-9/16	3/8	.175	1-3/16	1/16	3/32	30
3223	1/4-20	9/16	1/4	1-5/8	3/8	.175	1-1/4	1/16	3/32	30
3224	1/4-20	9/16	1/4	1-11/16	3/8	.175	1-5/16	1/16	3/32	30
3225	1/4-20	9/16	1/4	1-3/4	3/8	.175	1-3/8	1/16	3/32	30
3226	1/4-20	9/16	1/4	1-13/16	3/8	.175	1-7/16	1/16	3/32	30
3227	1/4-20	9/16	1/4	1-7/8	3/8	.175	1-1/2	1/16	3/32	30
3228	1/4-20	9/16	1/4	1-15/16	3/8	.175	1-9/16	1/16	3/32	30
3229	1/4-20	9/16	1/4	2"	3/8	.175	1-5/8	1/16	3/32	30
3230	1/4-20	3/4	1/4	5/8	3/8	.175	1/4	1/16	1/8	30
3231	1/4-20	3/4	1/4	11/16	3/8	.175	5/16	1/16	1/8	30
3232	1/4-20	3/4	1/4	3/4	3/8	.175	3/8	1/16	1/8	30
3233	1/4-20	3/4	1/4	13/16	3/8	.175	7/16	1/16	1/8	30
3234	1/4-20	3/4	1/4	7/8	3/8	.175	1/2	1/16	1/8	30
3235	1/4-20	3/4	1/4	15/16	3/8	.175	9/16	1/16	1/8	30
3236	1/4-20	3/4	1/4	1"	3/8	.175	5/8	1/16	1/8	30
3237	1/4-20	3/4	1/4	1-1/16	3/8	.175	11/16	1/16	1/8	30
3238	1/4-20	3/4	1/4	1-1/8	3/8	.175	3/4	1/16	1/8	30
3239	1/4-20	3/4	1/4	1-3/16	3/8	.175	13/16	1/16	1/8	30
3240	1/4-20	3/4	1/4	1-1/4	3/8	.175	7/8	1/16	1/8	30
3241	1/4-20	3/4	1/4	1-5/16	3/8	.175	15/16	1/16	1/8	30
3242	1/4-20	3/4	1/4	1-3/8	3/8	.175	1"	1/16	1/8	30
3243	1/4-20	3/4	1/4	1-7/16	3/8	.175	1-1/16	1/16	1/8	30
3244	1/4-20	3/4	1/4	1-1/2	3/8	.175	1-1/8	1/16	1/8	30
3245	1/4-20	3/4	1/4	1-9/16	3/8	.175	1-3/16	1/16	1/8	30
3246	1/4-20	3/4	1/4	1-5/8	3/8	.175	1-1/4	1/16	1/8	30
3247	1/4-20	3/4	1/4	1-11/16	3/8	.175	1-5/16	1/16	1/8	30



F7