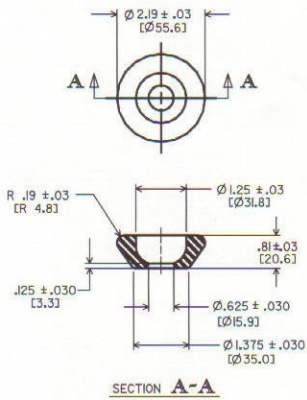


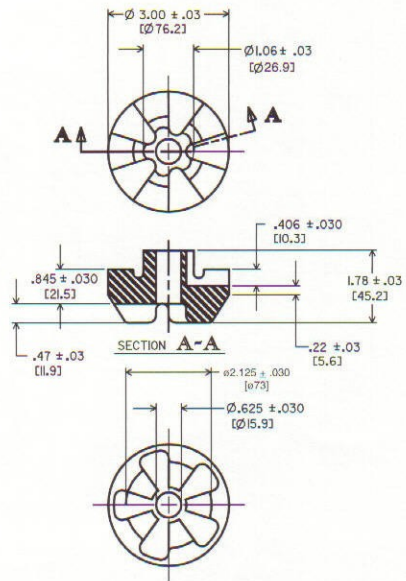
RING & BUSHING MOUNT SERIES: WR-6 / WB-6

Dimensions & Performance Characteristics

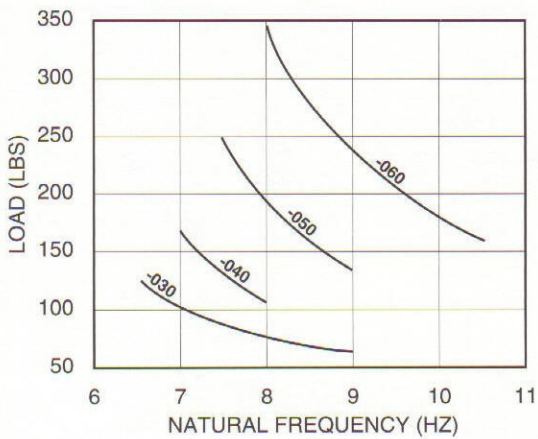
WR-6 (Ring)



WB-6 (Bushing)



WR-6 Series Load vs Natural Frequency



RECOMMENDED LOAD LIMITS FOR RING & BUSHING ASSEMBLY

Assembly	Min. Load	Max. Load
WR6-030/WB6-030	60 lb.	120 lbs.
WR6-040/WB6-040	110 lbs.	160 lbs.
WR6-050/WB6-050	135 lbs.	250 lbs.
WR6-060/WB6-060	160 lbs.	350 lbs.