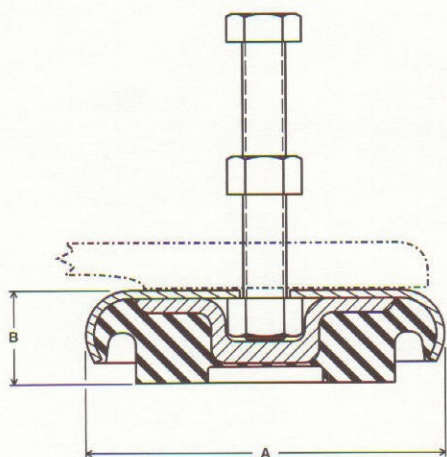


# METRIC BOLTS & BUSHINGS FOR LEVELING MOUNTS:

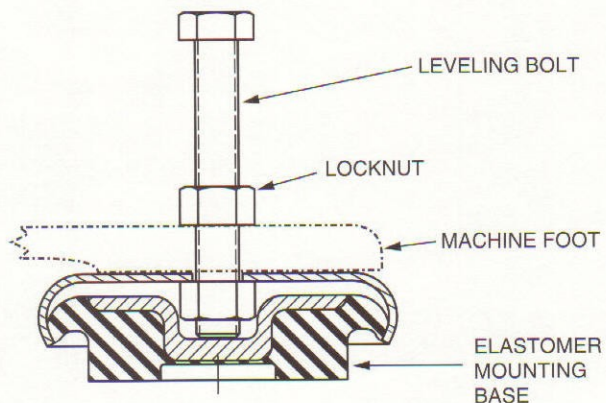
## Ordering Information

METRIC BOLTS w/NUTS		
Part#	Designed for Mount:	Size (in.)
2099-39000/1	LM0-MB	M6-1 x 1.181 (30 mm)
2099-40000/1	LM1-MB	M10-1.5 x 2.953 (75 mm)
2099-44000/1	LM3-MB	M12-1.75 x 5 (127 mm)
2099-43000/1	LM5-MB/LM6-MB	M20-2.5 x 5 (127 mm)
2099-41000/1	LM7-MB/LM9-MB	M24-3.0 x 7.874 (200 mm)

**Before Leveling**



**After Leveling**



## Leveling Mount Application Performance

