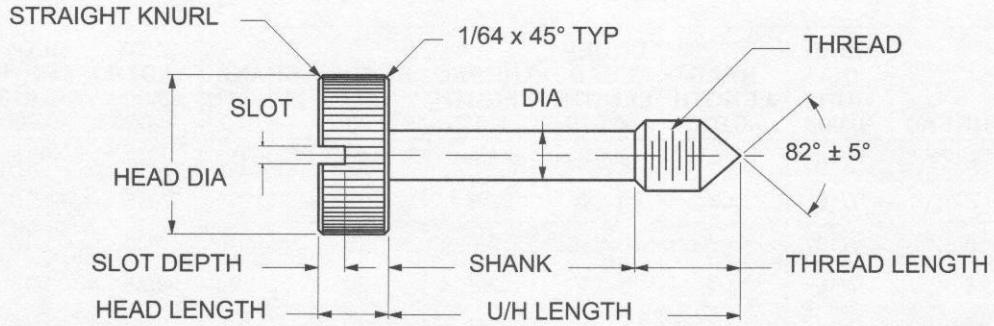




CAPTIVE PANEL SCREW TYPE 1



ORDERING CODE	XX	XXXX	XX
MATERIAL	BASIC PART	FINISH	

MATERIAL	CODE
BRASS	BR
STAINLESS STEEL	SS
STEEL	ST

CODE	FINISH
00	Plain — None
01	Passivate MIL-F-14072-E300
61	Nickel QQ-N-290 CL 1, Type VI KC

Additional Finishes Available

BASIC PART NUMBER	THREAD	HEAD DIA +0.010 -0.000	HEAD LENGTH -0.010	UNDER HEAD LENGTH -0.015	THREAD LENGTH -0.015	SHANK DIA -0.005	SHANK LENGTH -0.010	SLOT WIDTH +0.005 -0.000	SLOT DEPTH +0.010 -0.000	KNURL TPI
3167	10-32	7/16	1/4	1"	3/8	.130	5/8	1/16	1/16	30
3168	10-32	7/16	1/4	1-1/16	3/8	.130	11/16	1/16	1/16	30
3169	10-32	7/16	1/4	1-1/8	3/8	.130	3/4	1/16	1/16	30
3170	10-32	7/16	1/4	1-3/16	3/8	.130	13/16	1/16	1/16	30
3171	10-32	7/16	1/4	1-1/4	3/8	.130	7/8	1/16	1/16	30
3172	10-32	7/16	1/4	1-5/16	3/8	.130	15/16	1/16	1/16	30
3173	10-32	7/16	1/4	1-3/8	3/8	.130	1"	1/16	1/16	30
3174	10-32	7/16	1/4	1-7/16	3/8	.130	1-1/16	1/16	1/16	30
3175	10-32	7/16	1/4	1-1/2	3/8	.130	1-1/8	1/16	1/16	30
3176	10-32	7/16	1/4	1-9/16	3/8	.130	1-3/16	1/16	1/16	30
3177	10-32	7/16	1/4	1-5/8	3/8	.130	1-1/4	1/16	1/16	30
3178	10-32	7/16	1/4	1-11/16	3/8	.130	1-5/16	1/16	1/16	30
3179	10-32	7/16	1/4	1-3/4	3/8	.130	1-3/8	1/16	1/16	30
3180	10-32	7/16	1/4	1-13/16	3/8	.130	1-7/16	1/16	1/16	30
3181	10-32	7/16	1/4	1-7/8	3/8	.130	1-1/2	1/16	1/16	30
3182	10-32	7/16	1/4	1-15/16	3/8	.130	1-9/16	1/16	1/16	30
3183	10-32	7/16	1/4	2"	3/8	.130	1-5/8	1/16	1/16	30

