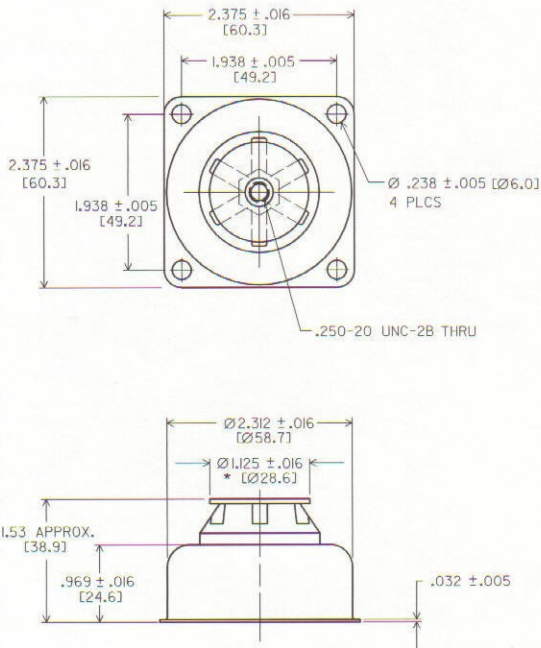


5200 MOUNT SERIES: 5200HT

Dimensions & Performance Characteristics

5200HT SERIES DIMENSIONAL DRAWING



TYPE 5200-HT SHOWN
FOR VARIATIONS SEE
SECTION ON HOW TO ORDER
*ø1.375 for 'N' prefix (Hi-Damp) Parts



HOW TO ORDER 5200 SERIES ISOLATORS

PLATE STYLE ISOLATORS (5200 SERIES)

Letter N placed at beginning for Silicone
Letter N placed at end for Neoprene
(Absence of letter N indicates special natural rubber version)

N 5205-T X N

- Use T for 1/4-20 UNC 2B threaded core
- Leave blank for through hole

- Use X for hex end of tapped core opposite 1.5 dia. ring
- Use Y for hex end of tapped core on side nearest 1.5 dia. ring

CUP STYLE ISOLATORS (5200H SERIES)

Letter N placed at beginning for Silicone
Letter N placed at end for Neoprene
(Absence of letter N indicates special natural rubber version)

N 5205-H T N

- H denotes cup-style version

- Use T for 1/4-20 UNC 2B threaded core (hex is inside cup, opposite 1.5" dia. ring)
- Leave blank for through hole