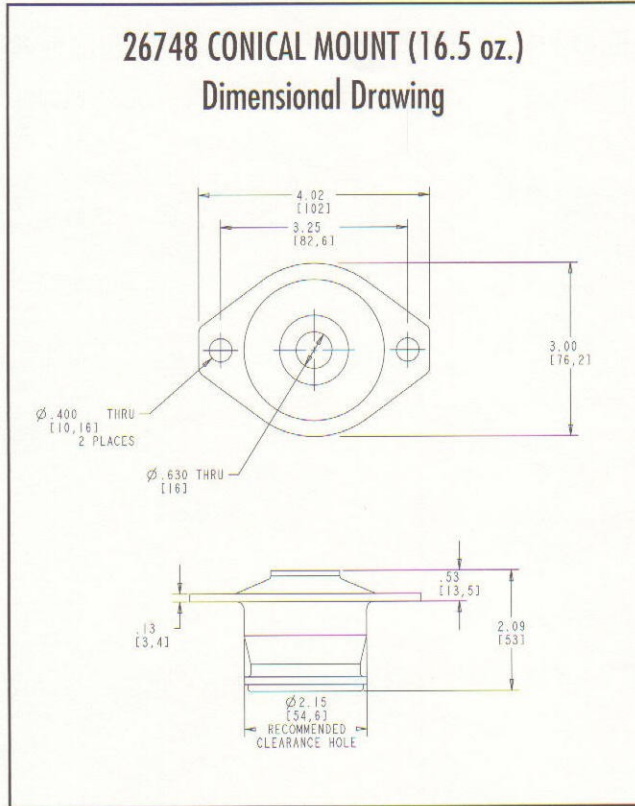


INDUSTRIAL CONICAL MOUNT SERIES: 26748

Dimensions & Performance Characteristics



Part Number	Max. Axial Load Range (lbs.)	Color Code	Natural Frequency at Max. Load	Radial to Axial Stiffness Ratio	Bolt Size	Bolt Grade		Torque	
						SAE	ISO	ft.-lbs	N-m
26748-45	286 lbs.	White	14 Hertz	4:1	5/8" or M16	5	8.8	180	235
26748-60	562 lbs.	Brown	14 Hertz	4:1	5/8" or M16	5	8.8	180	235
26748-70	750 lbs.	Orange	14 Hertz	4:1	5/8" or M16	5	8.8	180	235