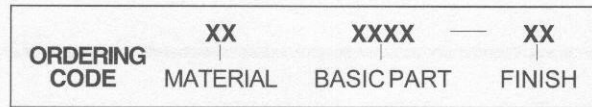
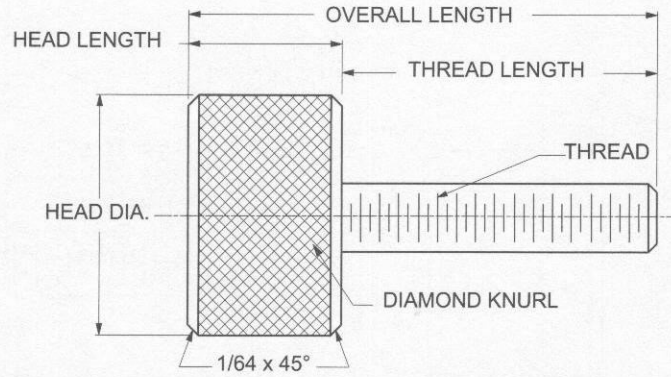




PLAIN THUMB SCREWS



CODE	FINISH
00	Plain — None
01	Passivate MIL-F-14072-E300
61	Nickel QQ-N-290 CL 1, Type VI KC

MATERIAL	CODE
BRASS	BR
STAINLESS STEEL	SS
STEEL	ST

BASIC PART NUMBER	THREAD	HEAD DIA +0.020 -0.000	HEAD LENGTH -0.015	OVERALL LENGTH -0.015	THREAD LENGTH -0.010
7620	4-40	5/16	3/16	1/2	5/16
7621	4-40	5/16	3/16	9/16	3/8
7622	4-40	5/16	3/16	5/8	7/16
7623	4-40	5/16	3/16	11/16	1/2
7624	6-32	5/16	3/16	1/2	5/16
7625	6-32	5/16	3/16	9/16	3/8
7626	6-32	5/16	3/16	5/8	7/16
7627	6-32	5/16	3/16	11/16	1/2
7628	8-32	3/8	3/16	9/16	3/8
7629	8-32	3/8	3/16	5/8	7/16
7630	8-32	3/8	3/16	11/16	1/2
7631	8-32	3/8	3/16	3/4	9/16
7632	8-32	3/8	3/16	13/16	5/8
7633	10-32	7/16	3/16	9/16	3/8
7634	10-32	7/16	3/16	5/8	7/16
7635	10-32	7/16	3/16	11/16	1/2
7636	10-32	7/16	3/16	3/4	9/16
7637	10-32	7/16	3/16	13/16	5/8
7638	1/4-20	1/2	1/4	3/4	1/2
7639	1/4-20	1/2	1/4	13/16	9/16
7640	1/4-20	1/2	1/4	7/8	5/8
7641	1/4-20	1/2	1/4	15/16	11/16
7642	1/4-20	1/2	1/4	1	3/4

