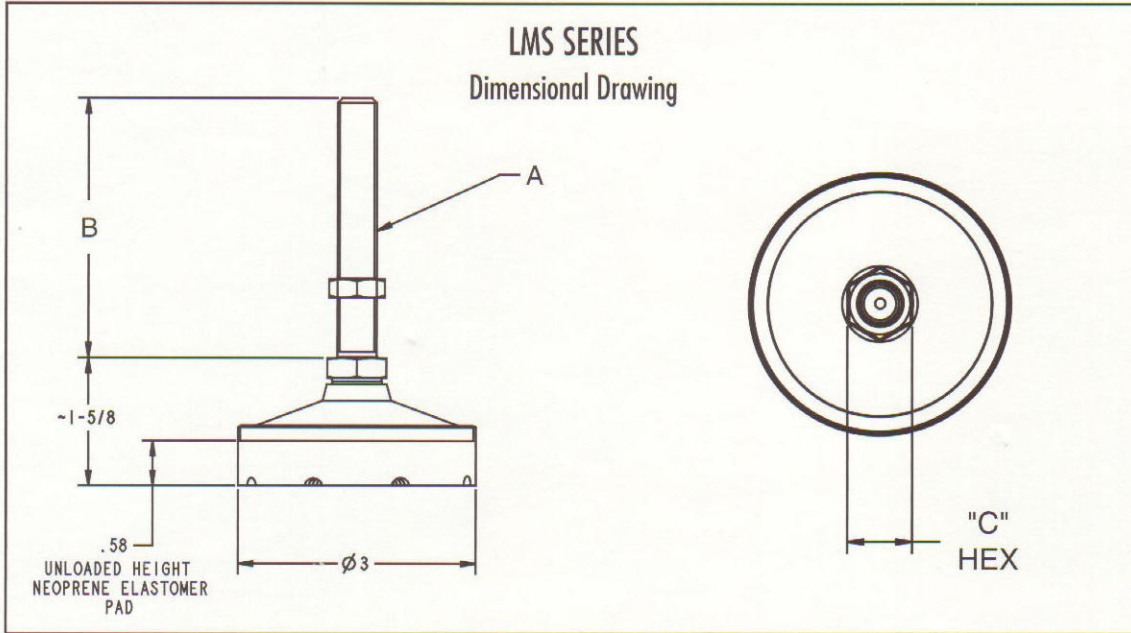


# LMS MOUNT SERIES:

## Dimensions & Performance Characteristics



**LMS MOUNT SERIES LOAD RATING & DIMENSIONAL DATA**

Part #	Load Range Rating (lbs.)	Thread Units	"A"	"B"	"C"
LMS-12042	100-400	INCH	.500-13 UNC 2B	2"	.750"
LMS-12044	100-400			4"	
LMS-12082	200-800			2"	
LMS-12084	200-800			4"	
LMS-12122	400-1200			2"	
LMS-12124	400-1200			4"	
LMS-M112042	100-400	METRIC	M12 x 1.75	51 mm	19 mm
LMS-M112043	100-400			84 mm	
LMS-M112082	200-800			51 mm	
LMS-M112083	200-800			84 mm	
LMS-M112122	400-1200			51 mm	
LMS-M112123	400-1200			84 mm	