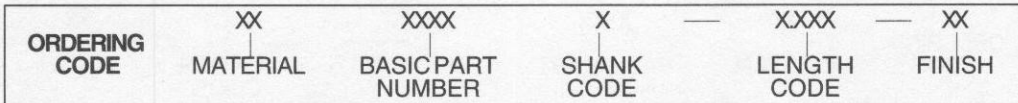
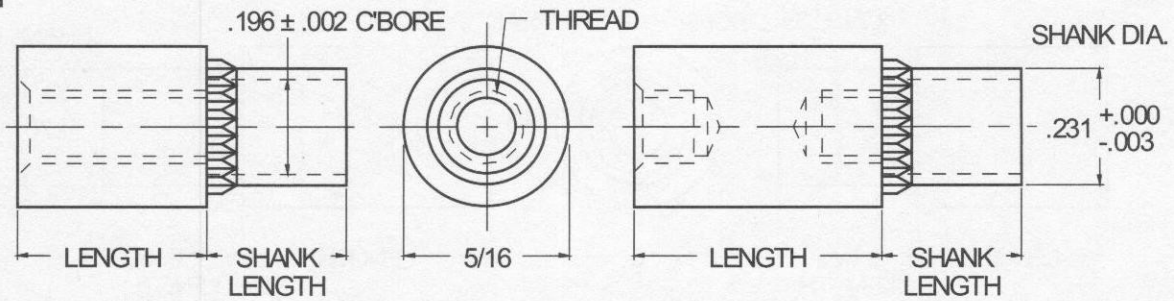


# SUPER TORQ 5/16 ROUND SWAGE STANDOFFS



| MATERIAL | CODE |
|----------|------|
| BRASS    | BR   |
| STEEL    | ST   |

| THREADSIZE | BASIC PART NO. |
|------------|----------------|
| 6-32       | 6907SP         |
| 8-32       | 6903SP         |
| 10-32      | 6918SP         |

| PANEL THICKNESS | SHANK LENGTH<br>± .003 | CODE |
|-----------------|------------------------|------|
| 1/32            | .075                   | A    |
| 1/16            | .105                   | B    |
| 3/32            | .135                   | C    |
| 1/8             | .165                   | D    |

| LENGTH | CODE  | LENGTH  | CODE  |
|--------|-------|---------|-------|
| 1/8    | 0.125 | 1"      | 1.000 |
| 3/16   | 0.187 | 1 1/16  | 1.062 |
| 1/4    | 0.250 | 1 1/8   | 1.125 |
| 5/16   | 0.312 | 1 3/16  | 1.187 |
| 3/8    | 0.375 | 1 1/4   | 1.250 |
| 7/16   | 0.437 | 1 5/16  | 1.312 |
| 1/2    | 0.500 | 1 3/8   | 1.375 |
| 9/16   | 0.562 | 1 7/16  | 1.437 |
| 5/8    | 0.625 | 1 1/2   | 1.500 |
| 11/16  | 0.688 | 1 9/16  | 1.562 |
| 3/4    | 0.750 | 1 5/8   | 1.625 |
| 13/16  | 0.812 | 1 11/16 | 1.688 |
| 7/8    | 0.875 | 1 3/4   | 1.750 |
| 15/16  | 0.937 | 1 13/16 | 1.812 |
|        |       | 1 7/8   | 1.875 |
|        |       | 1 15/16 | 1.937 |
|        |       | 2"      | 2.000 |

NOTE: For lengths not listed, contact Lyn-Tron, Inc.

NOTE: See Page C4 for mounting hole sizes and installation tool part numbers.

| CODE | FINISH   | CODE | FINISH   |
|------|--|------|--|
| 00   | Plain — None   | 33   | Black Zinc                                     |
| 01   | Passivate MIL-F-14072-E300   | 34*  | Zinc QQ-Z-325, Type II, CL 3 — Clear Chromate  |
| 02   | Caustic Etch   | 35   | Zinc QQ-Z-325, Type I, CL 3                    |
| 03   | Bright Dip — Brass   | 36   | Zinc QQ-Z-325, Type II, CL 3 — Yellow Chromate |
| 11   | Anodize MIL-A-8625C, Type I<br>Chromic Hot Water Seal — Dark Grey        | 42   | Electro Tin MIL-T-10727, Type I (Dull)         |
| 12   | Anodize MIL-A-8625C, Type II<br>Sulphuric Hot Water Seal — Clear         | 43   | Electro Tin MIL-T-10727 C, Type I (Bright)     |
| 13   | Anodize MIL-A-8625C, Type II<br>Sulphuric Dichromate Seal — Yellow Green | 44   | Electro Tin (Solder) MIL-F-14072 M230/M222     |
| 14   | Anodize MIL-A-8625C — Black  | 48   | Copper / Nickel / Bright Tin                   |
| 21   | Iridite MIL-C-5541 — Clear   | 50   | Black Oxide MIL-C-13924 — Steel                |
| 22*  | Iridite MIL-C-5541 — Gold #14  | 51   | Black Oxide MIL-F-495 — Brass                  |
| 31   | Cadmium QQ-P-416, CL 2 — Clear Chromate                                  | 52   | Black Oxide MIL-C-13924 — Stainless Steel      |
| 32   | Cadmium QQ-P-416, CL 2 — Color Chromate                                  | 63   | Ductile Nickel                                 |
|      |  | 66   | Electroless Nickel                             |
|      |  | 91   | Silver QQ-S-365                                |

\*Standard finishes: Zinc (Clear Chromate) on brass material, Iridite (Gold #14) on aluminum material.