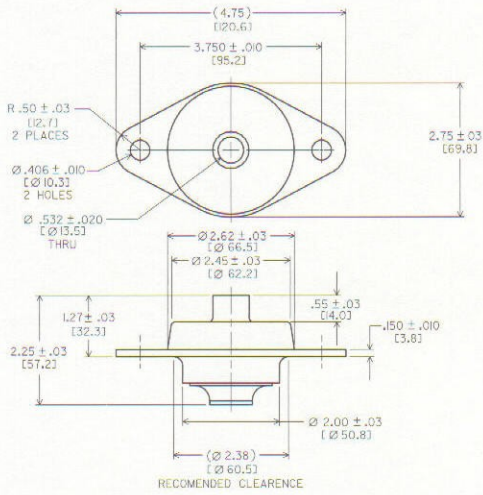


500SL MOUNT SERIES: 558SL/562SL

Dimensions & Performance Characteristics

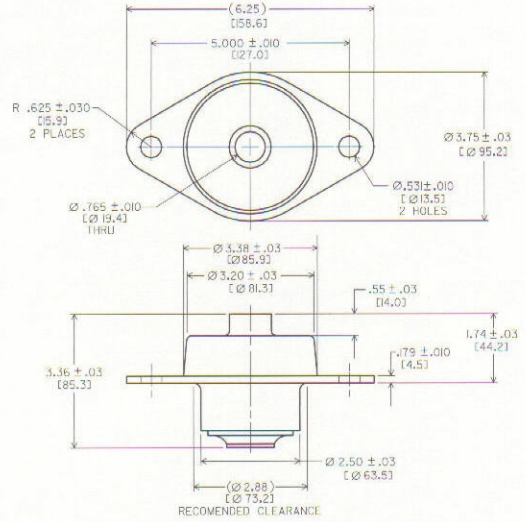
SERIES 558SL Dimensional Drawing (11 oz.)



AXIAL STATIC LOAD RANGE - 558SL

Code	Minimum	Maximum
-1	50 lbs.	110 lbs.
-2	90 lbs.	180 lbs.

SERIES 562SL Dimensional Drawing (1 lb. 13 oz.)

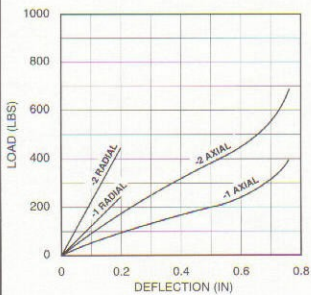


AXIAL STATIC LOAD RANGE - 562SL

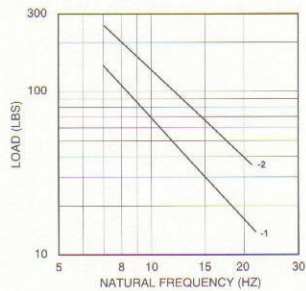
Code	Minimum	Maximum
-1	130 lbs.	260 lbs.
-2	260 lbs.	520 lbs.

558SL Series Performance Data

Load vs. Deflection

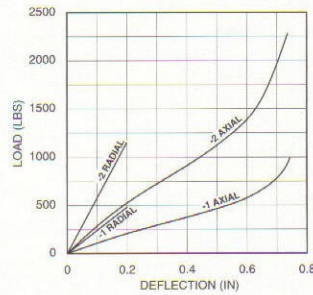


Load vs. Natural Frequency



562SL Series Performance Data

Load vs. Deflection



Load vs. Natural Frequency

