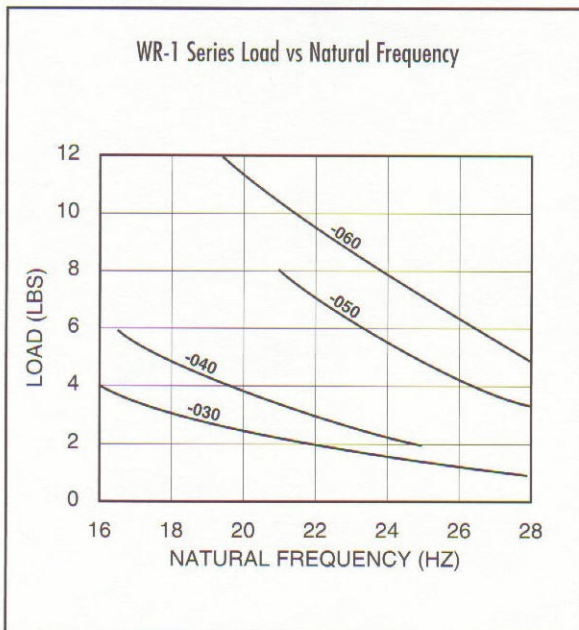
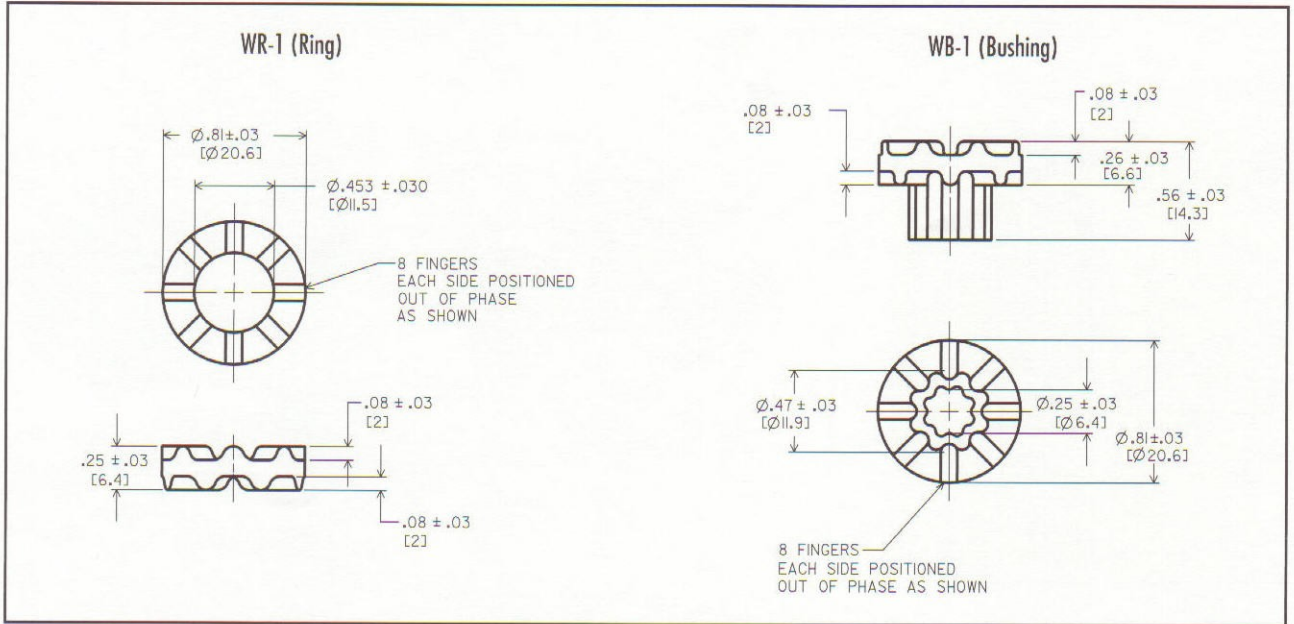


RING & BUSHING MOUNT SERIES: WR-1 / WB-1

Dimensions & Performance Characteristics



RECOMMENDED LOAD LIMITS FOR RING & BUSHING ASSEMBLY		
Assembly	Min. Load	Max. Load
WR1-030/WB1-030	1 lb.	4 lbs.
WR1-040/WB1-040	2 lbs.	6 lbs.
WR1-050/WB1-050	3 lbs.	8 lbs.
WR1-060/WB1-060	5 lbs.	12 lbs.