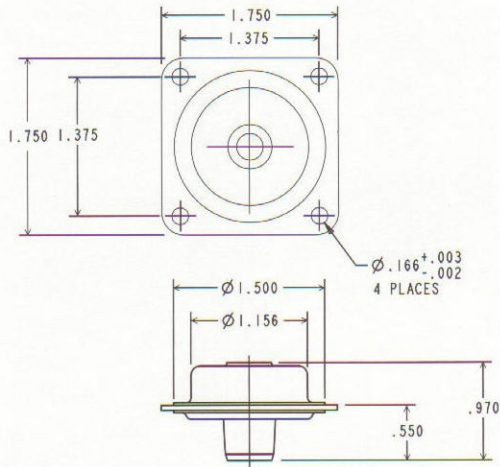


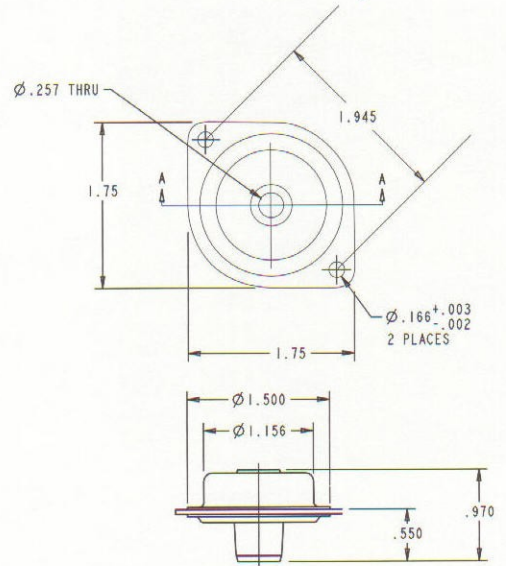
MULTIAXIS MOUNT SERIES:

Dimensions & Performance Characteristics

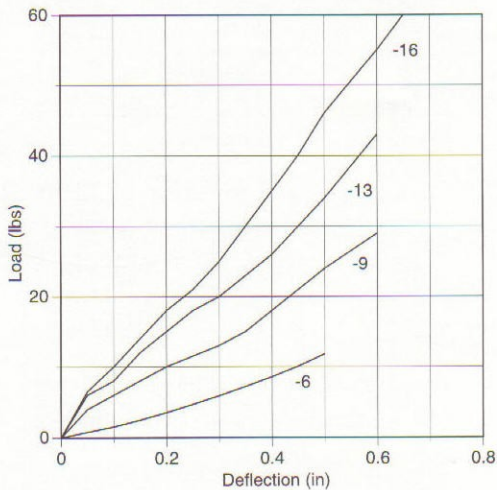
SERIES 27481-XS SERIES Dimensional Drawing



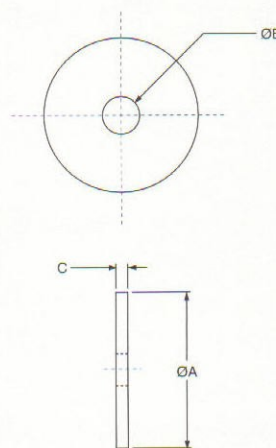
SERIES 27481-XD SERIES Dimensional Drawing



MULTIAXIS MOUNT SERIES Load vs Deflection



MULTIAXIS MOUNT SERIES Snubbing Washer



The use of snubbing washers is recommended to ensure proper static and dynamic loading of the isolator and retention of suspended equipment under severe shock environments.

Snubbing washers are ordered by separate part numbers as shown in the table below. The standard material is low-carbon steel and the standard finish is zinc plate. Other materials and finishes are available upon request.

Please consult with Barry Controls Applications Engineering at 1-800-Barry-MA for more information on the use of snubbing washers.

Part #	"A" Dia.	"B" Dia.	"C"
9810321-01000	1.5"	.27"	.062"