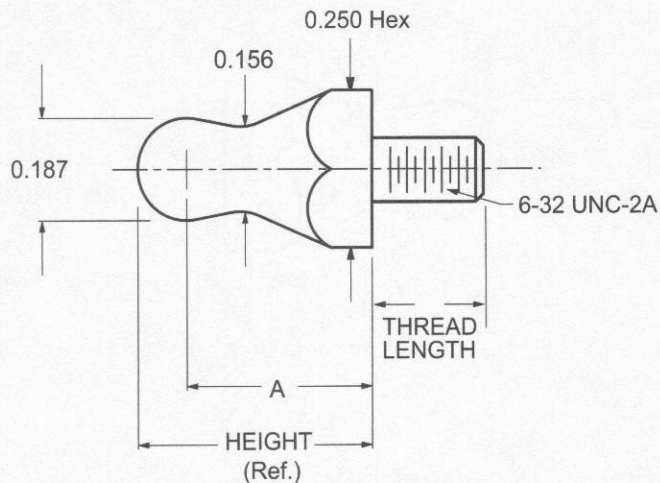




# BALL STUDS MALE THREAD



MATERIAL	CODE
*STEEL	ST

\*Additional Materials Available

ORDERING CODE	XX MATERIAL	B116 BASIC PART NUMBER	X.XXX HEIGHT CODE	X.XXX THREAD LENGTH	XX FINISH
---------------	----------------	---------------------------	----------------------	------------------------	--------------

Basic Part Number	HEIGHT (Ref.)	A ±.005	Panel Thickness
B116	0.421	0.328	0.025 to 0.051
B116	0.447	0.354	0.052 to 0.078
B116	0.473	0.380	0.079 to 0.105
B116	0.499	0.406	0.106 to 0.132
B116	0.525	0.432	0.133 to 0.160
B116	0.570	0.477	0.209 to 0.235
B116	0.625	0.532	0.230 to 0.256

THREAD LENGTH	CODE
5/32	0.156
3/16	0.187
7/32	0.218
1/4	0.250
5/16	0.312
3/8	0.375
7/16	0.437
1/2	0.500
9/16	0.562
5/8	0.625
11/16	0.687
3/4	0.750

CODE	FINISH
00	Plain — None
31	Cadmium QQ-P-416, CL 2 — Clear Chromate
32	Cadmium QQ-P-416, CL 2, Type II — Yellow Chromate
34	Zinc ASTMB633, Type III, Fe/Zn8 - Clear Chromate (STANDARD)
36	Zinc ASTMB633, Type II, Fe/Zn 8 — Yellow Chromate

\*Additional Finishes Available