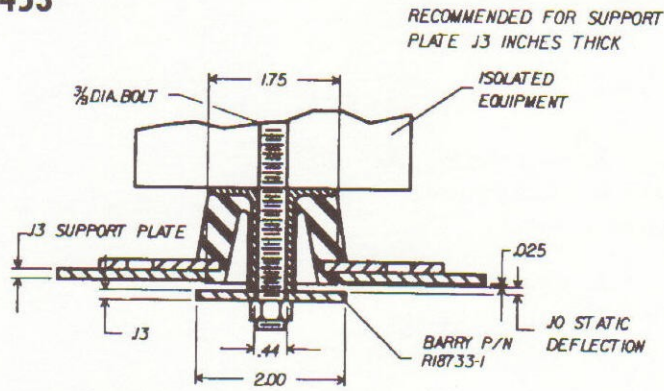


HR MOUNT SERIES:

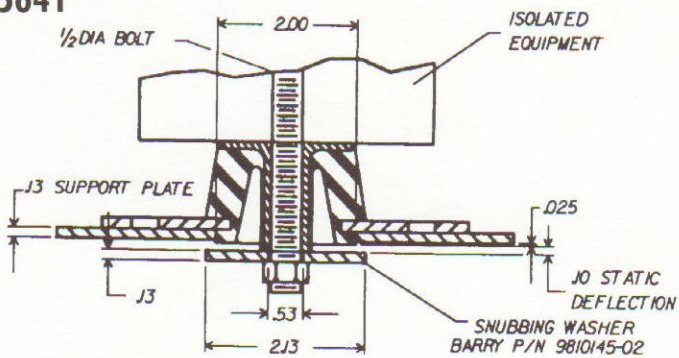
Technical Data

HR SERIES RECOMMENDED INSTALLATION

25453



25641



HR SERIES MAXIMUM TIGHTENING TORQUES (FT - LBS)

Part #	Bolt Diameter	Torque (dry)	Torque (lubricated or plated)
25453	.375	45*	35*
25641	.500	120*	90*

* = GRADE 8 BOLT TORQUE