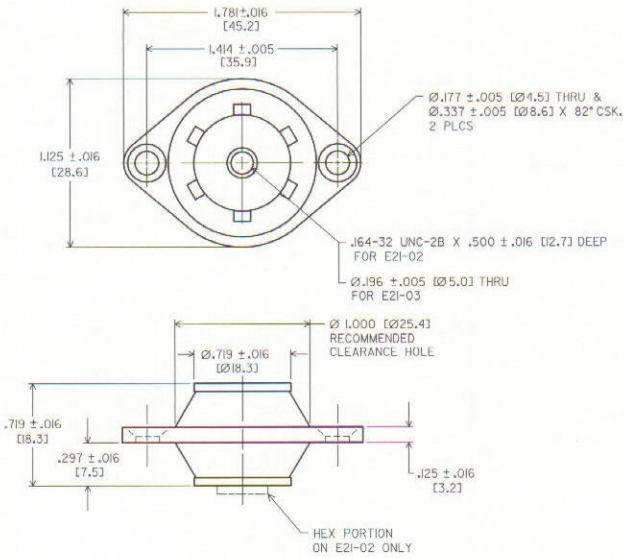


E MOUNT SERIES: E21

Dimensions & Performance Characteristics

E21 SERIES DIMENSIONAL DRAWING



LOAD RATINGS

Max. Load/Mount (lbs.)	Plate Type Tapped Core	Plate Type Thru Core	Weight (lbs.)
4.50	E21-02-40	E21-03-40	.023
7.00	E21-02-50	E21-03-50	
10.00	E21-02-60	E21-03-60	

E21 and E22 Series Performance Data

