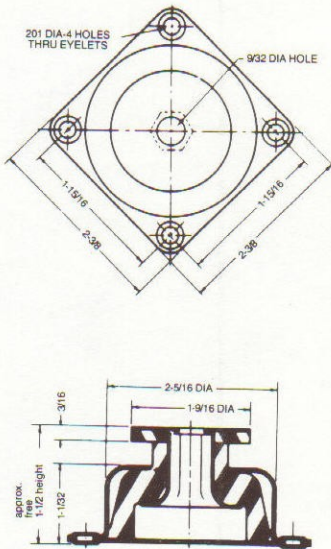


990/915 MOUNT SERIES:

Dimensions & Load Ranges

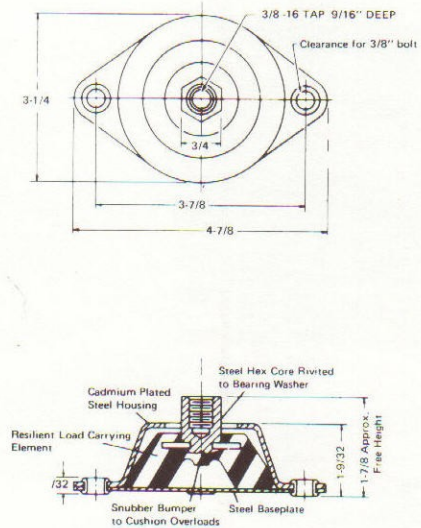
990 MOUNTS Dimensional Drawing



990 MOUNTS LOAD RATINGS

Part #	Load Range - lbs.
990-3	1.8 - 3
990-5	3 - 5
990-7	4.5 - 7
990-10	5 - 10
990-15	8 - 15
990-20	12 - 20
990-30	19 - 30

915 MOUNTS Dimensional Drawing



915 MOUNTS LOAD RATINGS

Part #	Load Range - lbs.
915-25	15 - 25
915-40	25 - 40
915-60	35 - 60
915-90	50 - 90
915-150	70 - 150
915-200	120 - 200

990/915 Series Mounts Application Performance

