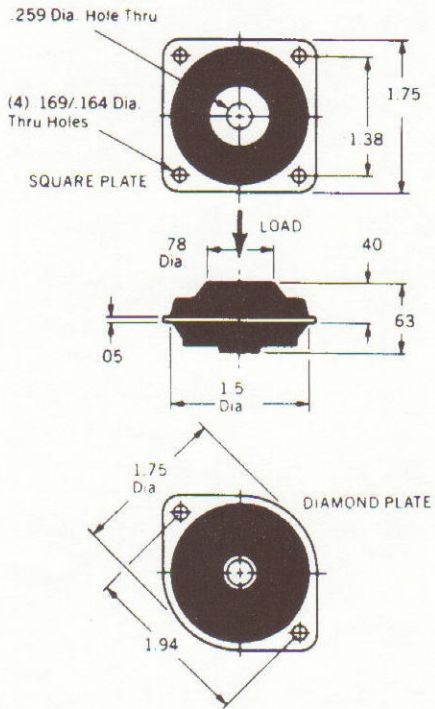


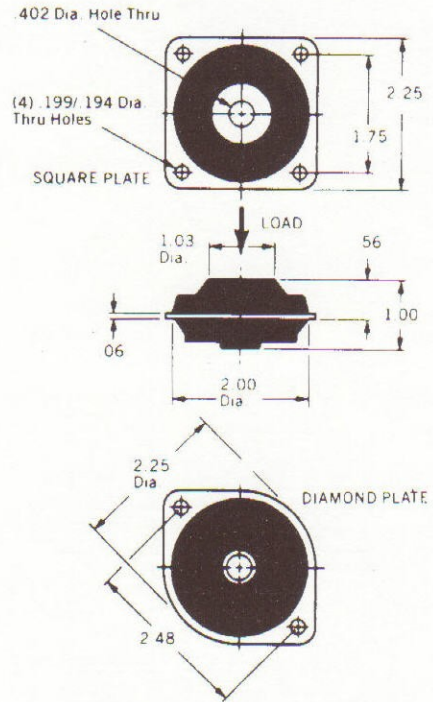
6820 MOUNT SERIES: 6821/6822

Dimensions & Load Ranges

6821 SERIES DIMENSIONAL DRAWING



6822 SERIES DIMENSIONAL DRAWING



LOAD RANGES - 6821 SERIES (lbs.)

Code	Min.	Norm.	Max.
-1	1.40	2.00	2.80
-2	2.50	4.00	5.50
-3	5.50	10.00	14.00

LOAD RANGES - 6822 SERIES (lbs.)

Code	Min.	Norm.	Max.
-1	14.00	20.00	28.00
-2	25.00	40.00	55.00
-3	40.00	60.00	80.00