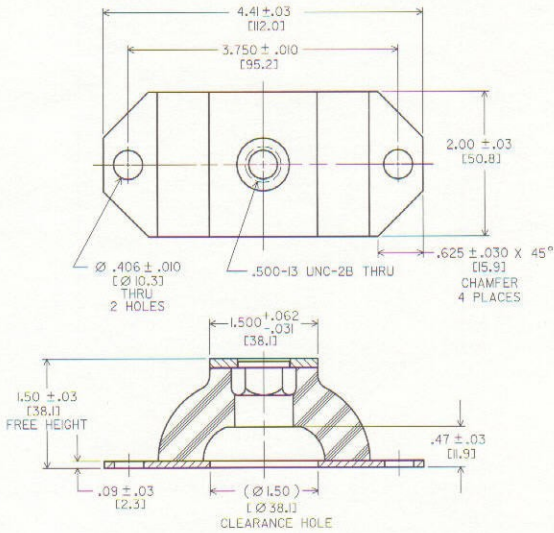


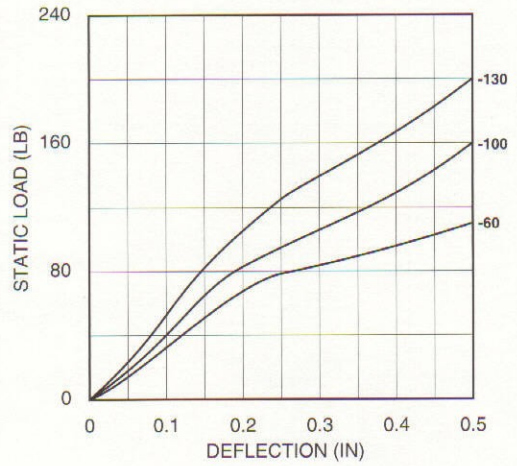
633A SERIES: 633A-60 THROUGH 633A-130

Dimensions & Performance Characteristics

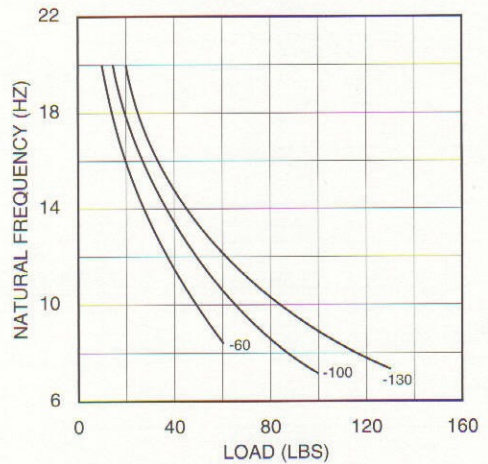
633A-60 through 633A-130 SERIES Dimensional Drawing



633A-60 through 633A-130 Load vs. Deflection



633A-60 through 633A-130 Frequency vs. Load



633A SERIES LOAD RANGES

Part #	Maximum Static Load/Isolator (lbs.)
633A-60	60
633A-100	100
633A-130	130

NOTE: For stainless steel applications please add "SS" to part number. Example:
For Stainless Steel 633A-60 order as part number 633A-60SS