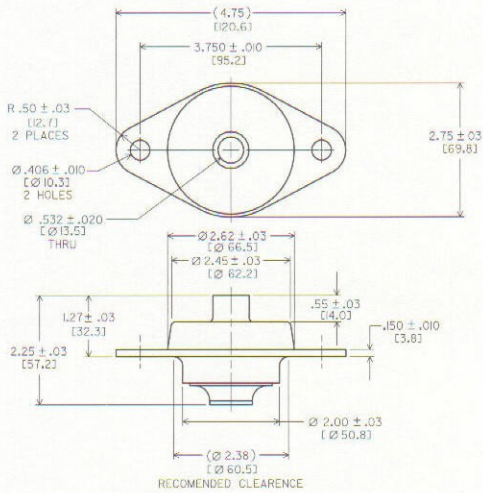


# 500SL MOUNT SERIES: 558SL/562SL

## Dimensions & Performance Characteristics

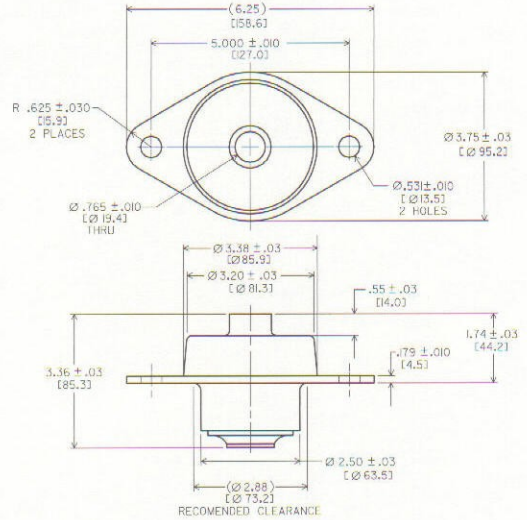
**SERIES 558SL Dimensional Drawing (11 oz.)**



**AXIAL STATIC LOAD RANGE - 558SL**

Code	Minimum	Maximum
-1	50 lbs.	110 lbs.
-2	90 lbs.	180 lbs.

**SERIES 562SL Dimensional Drawing (1 lb. 13 oz.)**

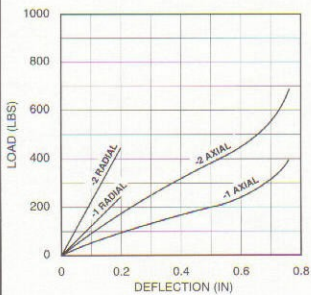


**AXIAL STATIC LOAD RANGE - 562SL**

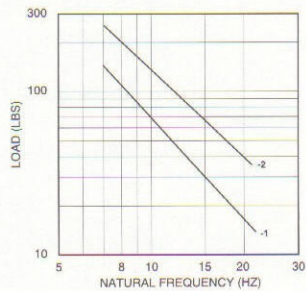
Code	Minimum	Maximum
-1	130 lbs.	260 lbs.
-2	260 lbs.	520 lbs.

**558SL Series Performance Data**

Load vs. Deflection

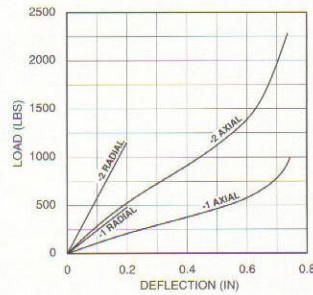


Load vs. Natural Frequency



**562SL Series Performance Data**

Load vs. Deflection



Load vs. Natural Frequency

