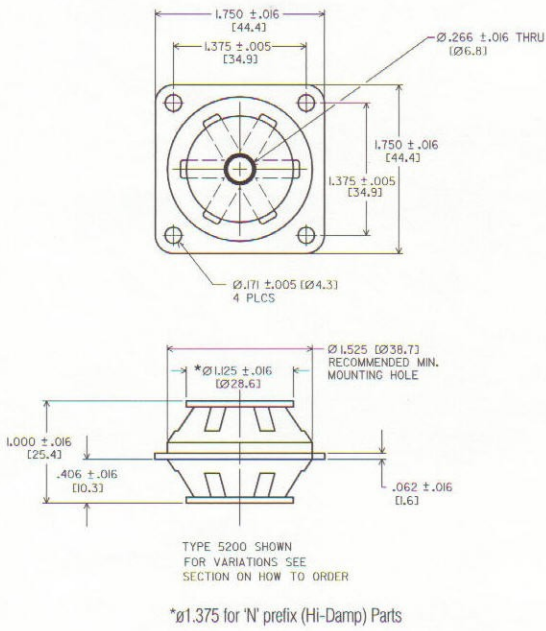


5200 MOUNT SERIES:

Dimensions & Performance Characteristics

5200 SERIES DIMENSIONAL DRAWING



5200 SERIES LOAD RATINGS

Part #*	Maximum Load /Isolator (lbs.)	Maximum Load /Isolator (lbs.)
	- Stationary -	- Mobile -
5205	15	4 - 7
5210	25	8 - 11
5215	35	12 - 17
5220	50	18 - 30

*Part Numbers shown above are basic numbers. For complete part numbers please see page 193.

5200 Series Performance Data

