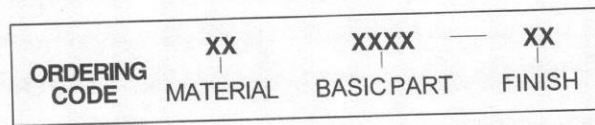
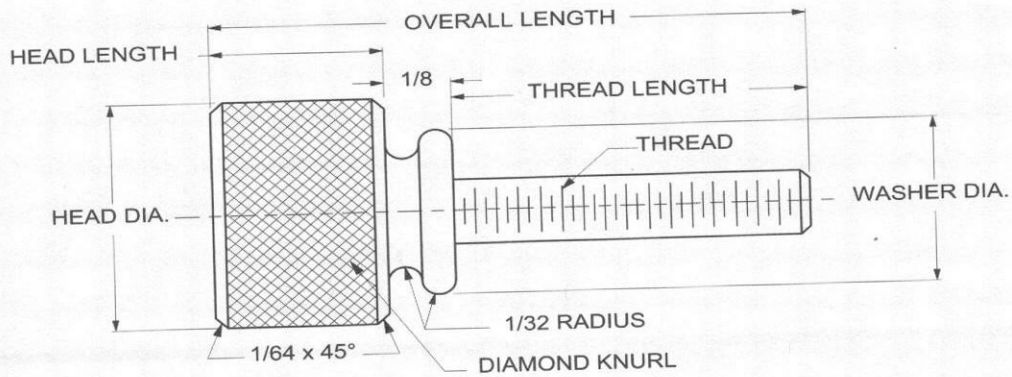




# WASHER FACE THUMB SCREWS



CODE	FINISH
00	Plain — None
01	Passivate MIL-F-14072-E300
61	Nickel QQ-N-290 CL 1, Type VI KC

MATERIAL	CODE
BRASS	BR
STAINLESS STEEL	SS
STEEL	ST

BASIC PART NUMBER	THREAD	HEAD DIA +0.020 -0.000	HEAD LENGTH -0.015	OVERALL LENGTH -0.015	THREAD LENGTH -0.010	WASHER DIA -1/32
7600	4-40	3/8	3/16	5/8	5/16	3/8
7601	4-40	3/8	3/16	11/16	3/8	3/8
7602	4-40	3/8	3/16	3/4	7/16	3/8
7603	6-32	3/8	3/16	11/16	3/8	3/8
7604	6-32	3/8	3/16	3/4	7/16	3/8
7605	6-32	3/8	3/16	13/16	1/2	3/8
7606	8-32	7/16	3/16	11/16	3/8	3/8
7607	8-32	7/16	3/16	13/16	1/2	3/8
7608	8-32	7/16	3/16	15/16	5/8	3/8
7609	10-32	7/16	3/16	11/16	3/8	3/8
7610	10-32	7/16	3/16	13/16	1/2	3/8
7611	10-32	7/16	3/16	15/16	5/8	3/8
7612	1/4-20	1/2	1/4	3/4	3/8	3/8
7613	1/4-20	1/2	1/4	7/8	1/2	3/8
7614	1/4-20	1/2	1/4	1	5/8	3/8
7615	1/4-20	1/2	1/4	1-1/8	3/4	3/8

