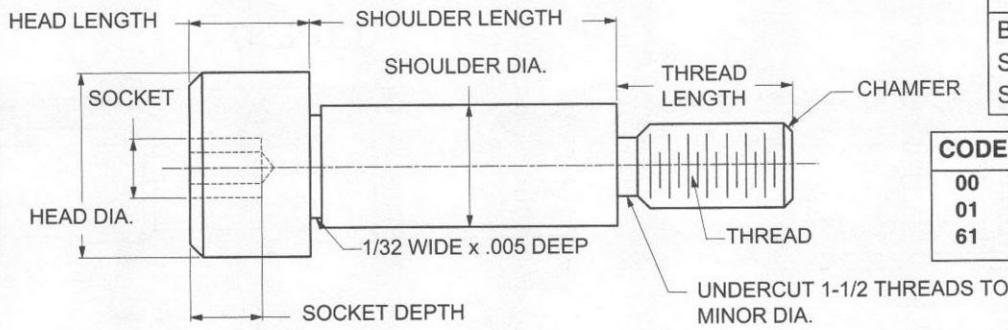




PRECISION SHOULDER SCREW SOCKET HEAD



MATERIAL	CODE
BRASS	BR
STAINLESS STEEL	SS
STEEL	ST

CODE	FINISH
00	Plain — None
01	Passivate MIL-F-14072-E300
61	Nickel QQ-N-290 CL 1, Type VI KC

ORDERING CODE	XX	XXXX	XX
	MATERIAL	BASIC PART	FINISH

BASIC PART NUMBER	THREAD	HEAD DIAMETER +0.002 -0.004	SHOULDER DIAMETER +0.000 -0.001	HEAD LENGTH -0.010	SHOULDER LENGTH +0.002 -0.000	THREAD LENGTH -0.005	SOCKET +0.002 -0.000	SOCKET DEPTH (MIN.)
7401	4-40	1/4	.1245	1/8	.1250	5/32	5/64	1/16
7402	4-40	1/4	.1245	1/8	.1875	5/32	5/64	1/16
7403	4-40	1/4	.1245	1/8	.2500	5/32	5/64	1/16
7404	4-40	1/4	.1245	1/8	.3125	5/32	5/64	1/16
7405	4-40	1/4	.1245	1/8	.3750	5/32	5/64	1/16
7406	4-40	1/4	.1245	1/8	.4375	5/32	5/64	1/16
7407	4-40	1/4	.1245	1/8	.500	5/32	5/64	1/16
7408	6-32	9/32	.1560	1/8	.1250	3/16	3/32	5/64
7409	6-32	9/32	.1560	1/8	.1875	3/16	3/32	5/64
7410	6-32	9/32	.1560	1/8	.2500	3/16	3/32	5/64
7411	6-32	9/32	.1560	1/8	.3125	3/16	3/32	5/64
7412	6-32	9/32	.1560	1/8	.3750	3/16	3/32	5/64
7413	6-32	9/32	.1560	1/8	.4375	3/16	3/32	5/64
7414	6-32	9/32	.1560	1/8	.500	3/16	3/32	5/64
7415	6-32	9/32	.1560	1/8	.5625	3/16	3/32	5/64
7416	6-32	9/32	.1560	1/8	.6250	3/16	3/32	5/64
7417	6-32	9/32	.1560	1/8	.6875	3/16	3/32	5/64
7418	6-32	9/32	.1560	1/8	.7500	3/16	3/32	5/64
7419	8-32	5/16	.1870	5/32	.125	3/16	3/32	5/64
7420	8-32	5/16	.1870	5/32	.1875	3/16	3/32	5/64
7421	8-32	5/16	.1870	5/32	.2500	3/16	3/32	5/64
7422	8-32	5/16	.1870	5/32	.3125	3/16	3/32	5/64
7423	8-32	5/16	.1870	5/32	.3750	3/16	3/32	5/64
7424	8-32	5/16	.1870	5/32	.4375	3/16	3/32	5/64
7425	8-32	5/16	.1870	5/32	.5000	3/16	3/32	5/64
7426	8-32	5/16	.1870	5/32	.5625	3/16	3/32	5/64
7427	8-32	5/16	.1870	5/32	.6250	3/16	3/32	5/64
7428	8-32	5/16	.1870	5/32	.6875	3/16	3/32	5/64
7429	8-32	5/16	.1870	5/32	.7500	3/16	3/32	5/64
7430	8-32	5/16	.1870	5/32	.8750	3/16	3/32	5/64
7431	8-32	5/16	.1870	5/32	1.000	3/16	3/32	5/64
7432	8-32	5/16	.1870	5/32	1.250	3/16	3/32	5/64
7433	8-32	5/16	.1870	5/32	1.375	3/16	3/32	5/64
7434	8-32	5/16	.1870	5/32	1.500	3/16	3/32	5/64



F37