

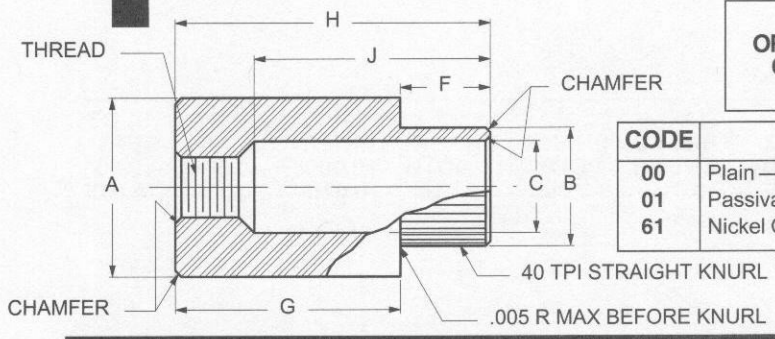


PANEL SCREW RETAINER TYPE A

ORDERING CODE XX XXXX-XXX - XX
 MATERIAL BASIC PART NUMBER FINISH

| CODE | FINISH |
|------|----------------------------------|
| 00 | Plain — None |
| 01 | Passivate MIL-F-14072-E300 |
| 61 | Nickel QQ-N-290 CL 1, Type VI KC |

| MATERIAL | CODE |
|-----------------|------|
| BRASS | BR |
| STAINLESS STEEL | SS |
| STEEL | ST |



| BASIC PART NUMBER | THREAD | PANEL THICKNESS | A -0.004 | B -0.002 | C +0.004 -0.001 | F -0.005 | G -0.005 | H -0.010 | J -0.005 |
|-------------------|---------|-----------------|-------------|-------------|-----------------------|-------------|-------------|-------------|-------------|
| R000-050 | 4-40 | .048-.072 | 1/4 | .198 | .150 | .050 | .200 | 1/4 | .164 |
| R000-080 | 4-40 | .074-.109 | 1/4 | .198 | .150 | .080 | .170 | 1/4 | .164 |
| R000-125 | 4-40 | .119-.156 | 1/4 | .198 | .150 | .125 | .125 | 1/4 | .164 |
| R001-050 | 6-32 | .048-.072 | 1/4 | .198 | .150 | .050 | .262 | 5/16 | .210 |
| R001-080 | 6-32 | .074-.109 | 1/4 | .198 | .150 | .080 | .232 | 5/16 | .210 |
| R001-125 | 6-32 | .119-.156 | 1/4 | .198 | .150 | .125 | .187 | 5/16 | .210 |
| R001-188 | 6-32 | .188 | 1/4 | .198 | .150 | .188 | .124 | 5/16 | .210 |
| R002-050 | 8-32 | .048-.072 | 5/16 | .228 | .188 | .050 | .262 | 5/16 | .208 |
| R002-080 | 8-32 | .074-.109 | 5/16 | .228 | .188 | .080 | .232 | 5/16 | .208 |
| R002-125 | 8-32 | .119-.156 | 5/16 | .228 | .188 | .125 | .187 | 5/16 | .208 |
| R002-188 | 8-32 | .188 | 5/16 | .228 | .188 | .188 | .124 | 5/16 | .208 |
| R003-050 | 10-24 | .048-.072 | 3/8 | .280 | .228 | .050 | .325 | 3/8 | .236 |
| R003-080 | 10-24 | .074-.109 | 3/8 | .280 | .228 | .080 | .295 | 3/8 | .236 |
| R003-125 | 10-24 | .119-.156 | 3/8 | .280 | .228 | .125 | .250 | 3/8 | .236 |
| R003-188 | 10-24 | .188 | 3/8 | .280 | .228 | .188 | .187 | 3/8 | .236 |
| R003-250 | 10-24 | .250 | 3/8 | .280 | .228 | .250 | .125 | 3/8 | .236 |
| R004-050 | 10-32 | .048-.072 | 3/8 | .280 | .228 | .050 | .325 | 3/8 | .236 |
| R004-080 | 10-32 | .074-.109 | 3/8 | .280 | .228 | .080 | .295 | 3/8 | .236 |
| R004-125 | 10-32 | .119-.156 | 3/8 | .280 | .228 | .125 | .250 | 3/8 | .236 |
| R004-188 | 10-32 | .188 | 3/8 | .280 | .228 | .188 | .187 | 3/8 | .236 |
| R004-250 | 10-32 | .250 | 3/8 | .280 | .228 | .250 | .125 | 3/8 | .236 |
| R005-050 | 1/4-20 | .048-.072 | 1/2 | .366 | .295 | .050 | .387 | 7/16 | .292 |
| R005-080 | 1/4-20 | .074-.109 | 1/2 | .366 | .295 | .080 | .357 | 7/16 | .292 |
| R005-125 | 1/4-20 | .119-.156 | 1/2 | .366 | .295 | .125 | .312 | 7/16 | .292 |
| R005-188 | 1/4-20 | .188 | 1/2 | .366 | .295 | .188 | .249 | 7/16 | .292 |
| R005-250 | 1/4-20 | .250 | 1/2 | .366 | .295 | .250 | .187 | 7/16 | .292 |
| R006-050 | 1/4-28 | .048-.072 | 1/2 | .366 | .295 | .050 | .387 | 7/16 | .292 |
| R006-080 | 1/4-28 | .074-.109 | 1/2 | .366 | .295 | .080 | .357 | 7/16 | .292 |
| R006-125 | 1/4-28 | .119-.156 | 1/2 | .366 | .295 | .125 | .312 | 7/16 | .292 |
| R006-188 | 1/4-28 | .188 | 1/2 | .366 | .295 | .188 | .249 | 7/16 | .292 |
| R006-250 | 1/4-28 | .250 | 1/2 | .366 | .295 | .250 | .187 | 7/16 | .292 |
| R007-050 | 5/16-18 | .048-.072 | 5/8 | .414 | .347 | .050 | .450 | 1/2 | .358 |
| R007-080 | 5/16-18 | .074-.109 | 5/8 | .414 | .347 | .080 | .420 | 1/2 | .358 |
| R007-125 | 5/16-18 | .119-.156 | 5/8 | .414 | .347 | .125 | .375 | 1/2 | .358 |
| R007-188 | 5/16-18 | .188 | 5/8 | .414 | .347 | .188 | .312 | 1/2 | .358 |
| R007-250 | 5/16-18 | .250 | 5/8 | .414 | .347 | .250 | .250 | 1/2 | .358 |
| R008-080 | 3/8-16 | .074-.109 | 3/4 | .479 | .406 | .080 | .482 | 9/16 | .418 |
| R008-125 | 3/8-16 | .119-.156 | 3/4 | .479 | .406 | .125 | .437 | 9/16 | .418 |
| R008-188 | 3/8-16 | .188 | 3/4 | .479 | .406 | .188 | .374 | 9/16 | .418 |
| R008-250 | 3/8-16 | .250 | 3/4 | .479 | .406 | .250 | .312 | 9/16 | .418 |

