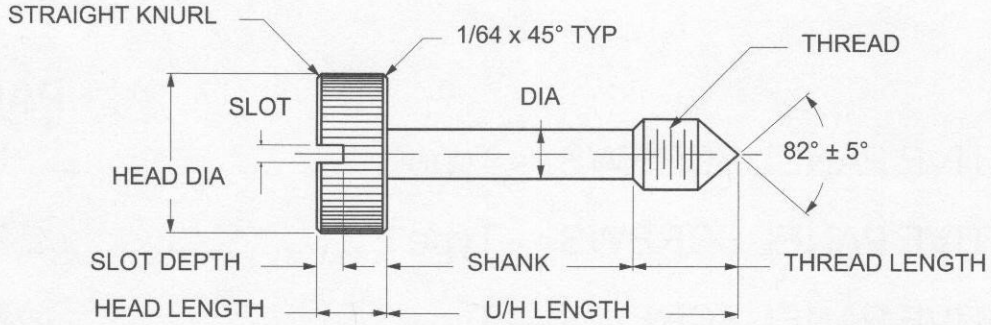




# CAPTIVE PANEL SCREW TYPE 1



ORDERING CODE	XX MATERIAL	XXXX BASIC PART	XX FINISH
CODE	FINISH		
00	Plain — None		
01	Passivate MIL-F-14072-E300		
61	Nickel QQ-N-290 CL 1, Type VI KC		

MATERIAL	CODE
BRASS	BR
STAINLESS STEEL	SS
STEEL	ST

Additional Finishes Available

BASIC PART NUMBER	THREAD	HEAD DIA +0.010 -0.000	HEAD LENGTH -0.010	UNDER HEAD LENGTH -0.015	THREAD LENGTH -0.015	SHANK DIA -0.005	SHANK LENGTH -0.010	SLOT WIDTH +0.005 -0.000	SLOT DEPTH +0.010 -0.000	KNURL TPI
3100	4-40	5/16	3/16	21/32	9/32	.078	3/8	.036	1/16	35
3101	4-40	5/16	3/16	23/32	9/32	.078	7/16	.036	1/16	35
3102	4-40	5/16	3/16	25/32	9/32	.078	1/2	.036	1/16	35
3103	4-40	5/16	3/16	27/32	9/32	.078	9/16	.036	1/16	35
3104	4-40	5/16	3/16	29/32	9/32	.078	5/8	.036	1/16	35
3105	6-32	5/16	3/16	21/32	9/32	.095	3/8	.045	1/16	35
3106	6-32	5/16	3/16	23/32	9/32	.095	7/16	.045	1/16	35
3107	6-32	5/16	3/16	25/32	9/32	.095	1/2	.045	1/16	35
3108	6-32	5/16	3/16	27/32	9/32	.095	9/16	.045	1/16	35
3109	6-32	5/16	3/16	29/32	9/32	.095	5/8	.045	1/16	35
3110	6-32	3/8	3/16	21/32	9/32	.095	3/8	.045	1/16	30
3111	6-32	3/8	3/16	23/32	9/32	.095	7/16	.045	1/16	30
3112	6-32	3/8	3/16	25/32	9/32	.095	1/2	.045	1/16	30
3113	6-32	3/8	3/16	27/32	9/32	.095	9/16	.045	1/16	30
3114	6-32	3/8	3/16	29/32	9/32	.095	5/8	.045	1/16	30
3115	8-32	7/16	1/4	5/8	3/8	.120	1/4	1/16	1/16	30
3116	8-32	7/16	1/4	11/16	3/8	.120	5/16	1/16	1/16	30
3117	8-32	7/16	1/4	3/4	3/8	.120	3/8	1/16	1/16	30
3118	8-32	7/16	1/4	13/16	3/8	.120	7/16	1/16	1/16	30
3119	8-32	7/16	1/4	7/8	3/8	.120	1/2	1/16	1/16	30
3120	8-32	7/16	1/4	15/16	3/8	.120	9/16	1/16	1/16	30
3121	8-32	7/16	1/4	1"	3/8	.120	5/8	1/16	1/16	30
3122	8-32	7/16	1/4	1-1/16	3/8	.120	11/16	1/16	1/16	30
3123	8-32	7/16	1/4	1-1/8	3/8	.120	3/4	1/16	1/16	30
3124	8-32	7/16	1/4	1-3/16	3/8	.120	13/16	1/16	1/16	30
3125	8-32	7/16	1/4	1-1/4	3/8	.120	7/8	1/16	1/16	30



F3