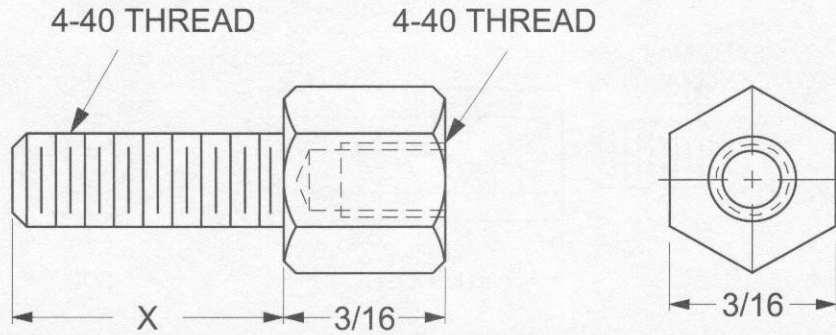
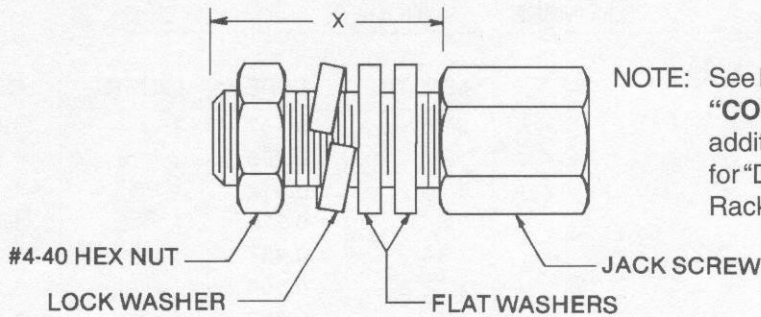




3/16 HEX JACK SCREWS (Male-Female Standoffs)



SCREW LOCK ASSEMBLY FOR APPLICATION WITH "D" SUBMINIATURE CONNECTORS



NOTE: See Reference Handbook "CONNECTOR HARDWARE" for additional accessories, for "D" Subminiature and Rack & Panel Connectors.

Refer To
G Section

- Supplied: 1. Packaged with 2 Screw Lock Assemblies per Kit.
2. Bulk — each component individually packed.

ORDERING CODE	XX MATERIAL	XXXX BASIC PART NUMBER	XX FINISH
---------------	----------------	---------------------------	--------------

MATERIAL	CODE
BRASS	BR
STAINLESS STEEL	SS
STEEL	ST

NOTE: See Page A4 for additional materials and specifications.

"X" LENGTH	BASIC PART NO.		
	JACK SCREW ONLY	SCREW LOCK ASS'Y KIT	SCREW LOCK ASS'Y BULK
3/16	9410	9420	9430
1/4	9411	9421	9431
5/16	9412	9422	9432
3/8	9413	9423	9433
7/16	9414	9424	9434
1/2	9415	9425	9435
9/16	9416	9426	9436
5/8	9417	9427	9437
11/16	9418	9428	9438
3/4	9419	9429	9439

CODE	FINISH	CODE	FINISH
00	Plain — None	34*	Zinc QQ-Z-325, Type II, CL 3 — Clear Chromate
01	Passivate MIL-F-14072-E300	36	Zinc QQ-Z-325, Type II, CL 3 — Yellow Chromate
12	Anodize MIL-A-8625C, Type II Sulphuric Hot Water Seal — Clear	43	Electro Tin MIL-T-10727C, Type 1 (Bright)
14	Anodize MIL-A-8625C — Black	48	Copper / Nickel / Bright Tin
21	Iridite MIL-C-5541 — Clear	50	Black Oxide Steel
22*	Iridite MIL-C-5541 — Gold #14	51	Black Oxide MIL-F-495 — Brass
31	Cadmium QQ-P-416, CL 2 — Clear Chromate	52	Black Oxide MIL-C-13924 — Stainless Steel
32	Cadmium QQ-P-416, CL 2 — Color Chromate	61	Nickel QQ-N-290 CL 1, Type VI KC
33	Black Zinc	63	Ductile Nickel
		66	Electroless Nickel

*Standard finishes: Zinc (Clear Chromate) on brass material, Iridite (Gold #14) on aluminum material.